

Model Compatibility:
RDV600ER
RDV700ER



DANGER

CRITICAL NOTE TO INSTALLER:

A sheet of non-combustible material, min 12mm, thick must be placed between the flue and the cladding when installing this Weather Proof Box on buildings clad with weather board or other combustible materials. Non-combustible material is not supplied with this kit. Refer to page 4 for details.



NOTE

IMPORTANT NOTE TO INSTALLER:

This Weather Proof Box is suitable for use with only with certified RDV flue components supplied for these appliances.

This Weather Proof Box is to be used in conjunction with the *Horizontal Flue Terminal Mount Kit*, Pt No. R2449.

Kit Contents 650/750 WPB (R2448)

| Ref | Item | Quantity | Ref | Item | Quantity |
|-----|--------------------------|----------|-----|---------------------------------|----------|
| 1 | Panel Bottom R67 WP Box | 1 | 6 | Bracket Support LH R67 WP Box | 1 |
| 2 | Panel Side RH R67 WP Box | 1 | 7 | Bracket Support RH R67 WP Box | 1 |
| 3 | Panel Side LH R67 WP Box | 1 | 8 | Bracket Support Rear R67 WP Box | 1 |
| 4 | Panel Top R67 WP Box | 1 | 9 | Screw 8x10 THPSZ Phil AB Zinc | 48 |
| 5 | Panel Front R67 WP Box | 1 | 10 | Screw Wood 8x38 83M881 12C | 12 |

Note: An additional 14 fasteners will be required to fix the weatherproof box to the outside wall through the pre-punched Ø8mm holes. These fasteners have not been supplied with the kit. The fixing method will depend on the type of wall material or the type of wall cladding.

This appliance and or accessory shall be installed in accordance with:

- Manufacturer's Installation Instructions.
- Current AS/NZS 5601 AS/NZS 3000.
- Local Regulations and Municipal Building Codes including local EH&S requirements.

This appliance and or accessory must be installed, serviced or removed only by an Authorized Person.

For continued safety and safe operation of this appliance and or accessory it must be installed and maintained in accordance with the manufacturer's instructions.

Rinnai Australia Pty. Ltd.

Head Office

100 Atlantic Drive,
Keysborough Victoria 3173
Tel: (03) 9271 6625

P.O. Box 460
Braeside Victoria 3195

Installation Manual 650/750WPB (Pt No. R2448)

REGULATIONS

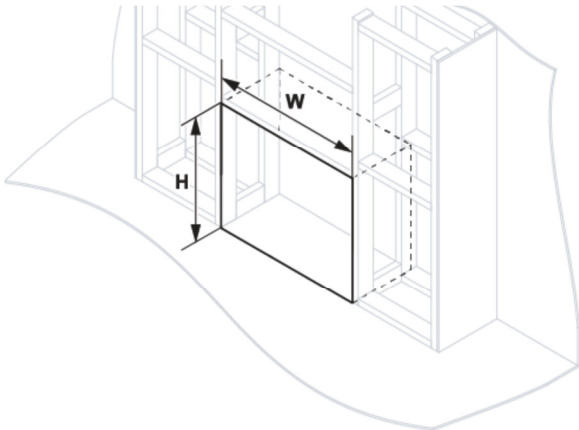


THIS ACCESSORY SHALL BE INSTALLED IN ACCORDANCE WITH:

- Manufacturer's Installation Instructions, including OPERATION & INSTALLATION MANUAL, Flamefire Gas Space Heater RDV600/700ER (supplied with the heater) Space Heater Flue System, (located within the Operation and Installation Manual).
- Current AS/NZS 5601 AS/NZS 3000.
- Local Regulations and Municipal Building Codes including local EH&S requirements.
- To be installed, maintained and removed only by an authorised person.
- For continued safety and safe operation of this appliance it must be installed and maintained in accordance with the manufacturer's instructions.

Step 1. Preparing the appliance frame

The framing and outside wall must be prepared to the following dimensions. If bricks are to be cut a lintel must be used to support the brickwork above the appliance. The appliance **MUST NOT** be used to support the brickwork.



| | Heater Model | |
|-------------------|--------------|-----|
| | 650 | 750 |
| H = Height | 700 | 800 |
| W = Width | 700 | 700 |

DIMENSIONS – (Flue terminal fitted).

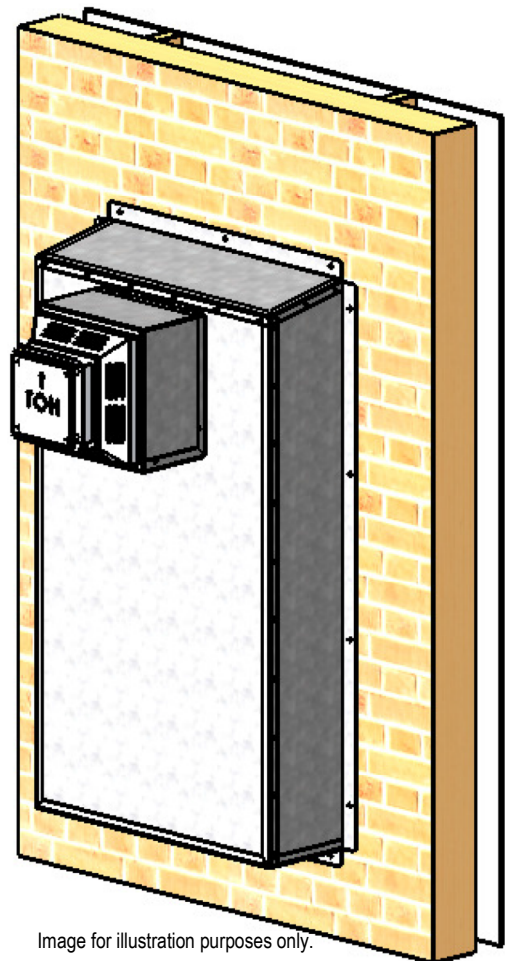
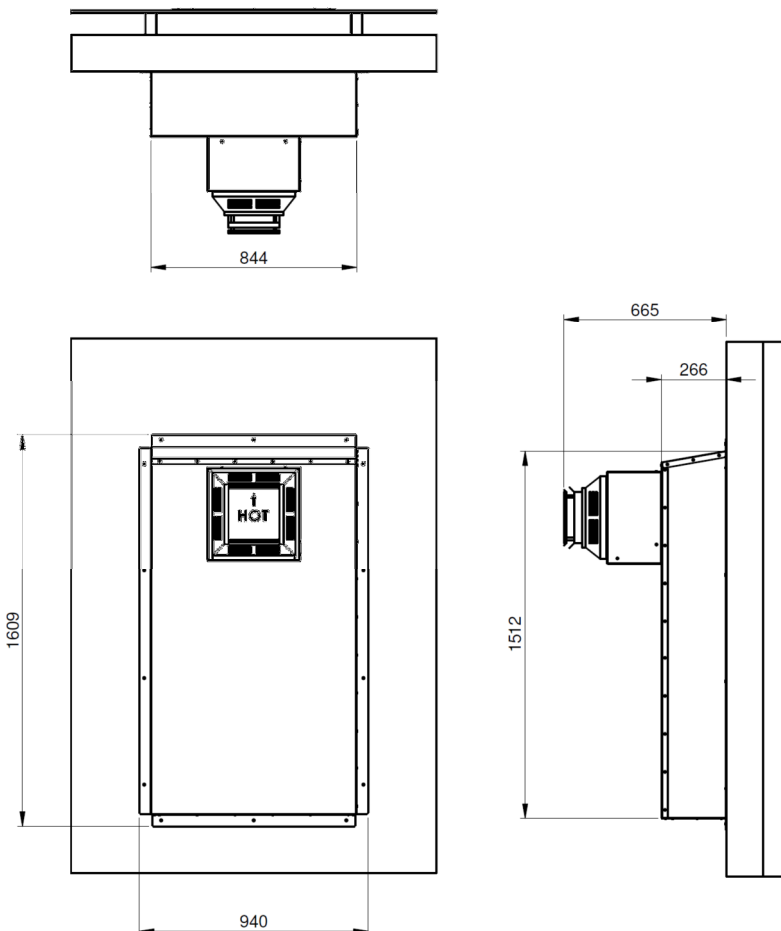


Image for illustration purposes only.

Step 2. Fitting the appliance support brackets

1. Fit the engine support brackets, (6) & (7) to the framing as shown using the 8 x 38 wood screws item (10) supplied.

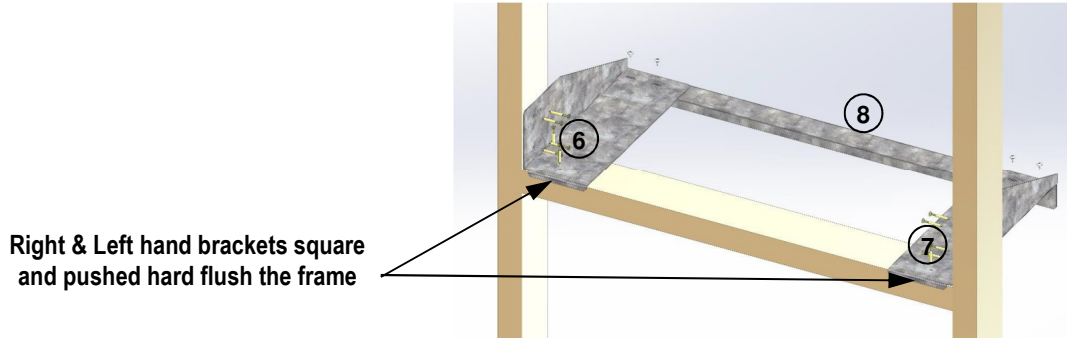
The front lip of the brackets must be pushed hard back against the framing or the fascia will not fit correctly.

2. Fit the rear support bracket, (8), to the engine support brackets using 8x10 screws supplied, item (9) .



IMPORTANT NOTE TO INSTALLER:

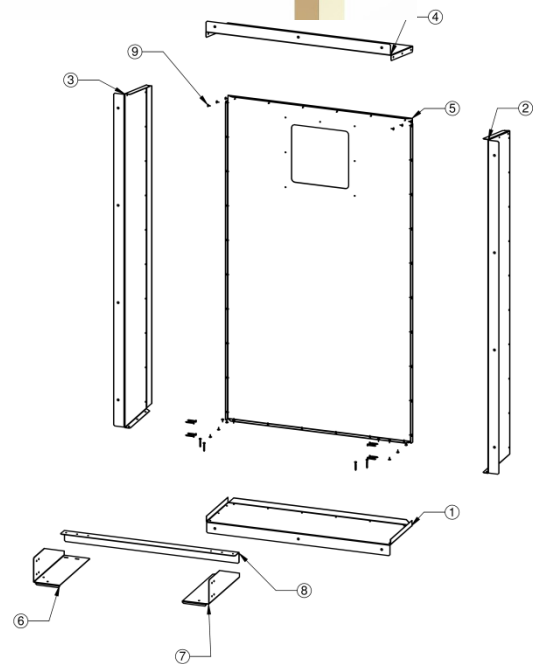
It is essential that the left and right hand brackets are installed square and flush to the frame or the front fascia will not sit correctly flat against the wall.



Step 3. Weather Proof Box Assembly.

| Item No. | Description | QTY |
|----------|---------------------------------|-----|
| 1 | Panel Bottom R67 WP Box | 1 |
| 2 | Panel Side RH R67 WP Box | 1 |
| 3 | Panel Side LH R67 WP Box | 1 |
| 4 | Panel Top R67 WP Box | 1 |
| 5 | Panel Front R67 WP Box | 1 |
| 6 | Bracket Support LH R67 WP Box | 1 |
| 7 | Bracket Support RH R67 WP Box | 1 |
| 8 | Bracket Support Rear R67 WP Box | 1 |
| 9 | Screw 8x10 THPSZ Phil AB Zinc | 48 |
| 10 | Screw Wood 8x38 83M88112C | 12 |

Note: An additional 14 fasteners will be required to fix the weatherproof box to the outside wall through the pre-punched Ø8mm holes. These fasteners have not been supplied with this kit. The fixing method will depend on the type of wall material or the type of wall cladding used.



Assembly steps

1. On a clean, flat surface fit the bottom panel, (1), to the side panels, (3) & (2) using the 8x10 screws item (9) supplied. The sloping edge of the side panels are at the top, the bottom panel fits inside the sides.
2. Fit the front panel, (5), to the side and bottom panels using the 8x10 screws item (9) supplied.
3. Fit the sloping top panel, (4), using the 8x10 screws item (9) supplied.



Step 4. Attaching the Weather Proof Box to the wall.



CRITICAL NOTE TO INSTALLER:

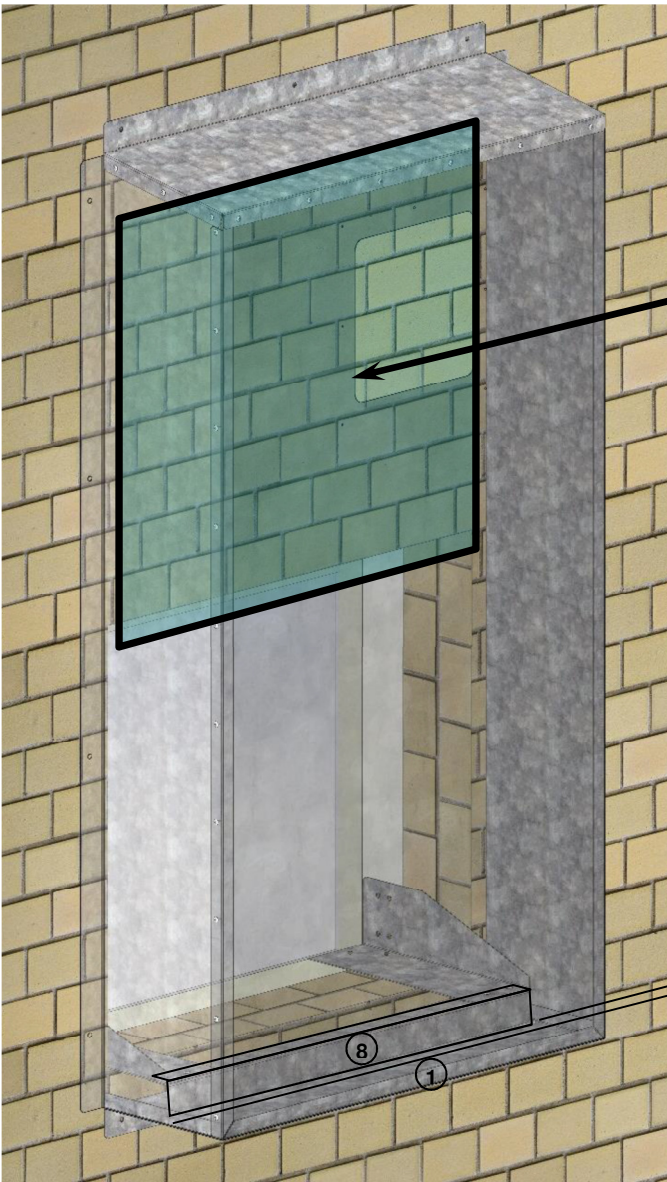
A sheet of non-combustible material, min 12mm, thick must be fixed between the flue and the cladding when installing this Weather Proof Box on buildings clad with weather board or other combustible materials. Non-combustible material is not supplied with this kit.



IMPORTANT NOTE TO INSTALLER:

The method of ensuring that the weather seal between the Weatherproof Box and the wall cladding is watertight is the responsibility of the installer. Refer to the current version of AS/NZS 5601. Rinnai is unable to advise as to how this is achieved.

1. Locate the assembled Weatherproof Box to ensure a gap of 5-10mm between the bottom edge of the rear support bracket, (8) and bottom panel, (1). This gap is to ensure drainage in the event of accidental water leakage and to allow air movement at the base.
2. Attach the Weatherproof box assembly to the wall using appropriate fasteners and sealant for the type of cladding used. (Sealant material not supplied).



Where a combustible cladding is used on the building a sheet of non-combustible material of a minimum 12mm thick must be fixed between the cladding and the flue to prevent contact between the exhaust flue and wall.

The method of fixing the non-combustible sheet to the cladding is to be determined by the installer and must comply with the current version of AS/NZS 5601.

5-10mm gap between bottom panel, (1) and rear support bracket, (8).

To complete the installation of your heaters flue refer to the instructions contained with the *Horizontal Flue Terminal Mount Kit*, Pt No. R2449.

END