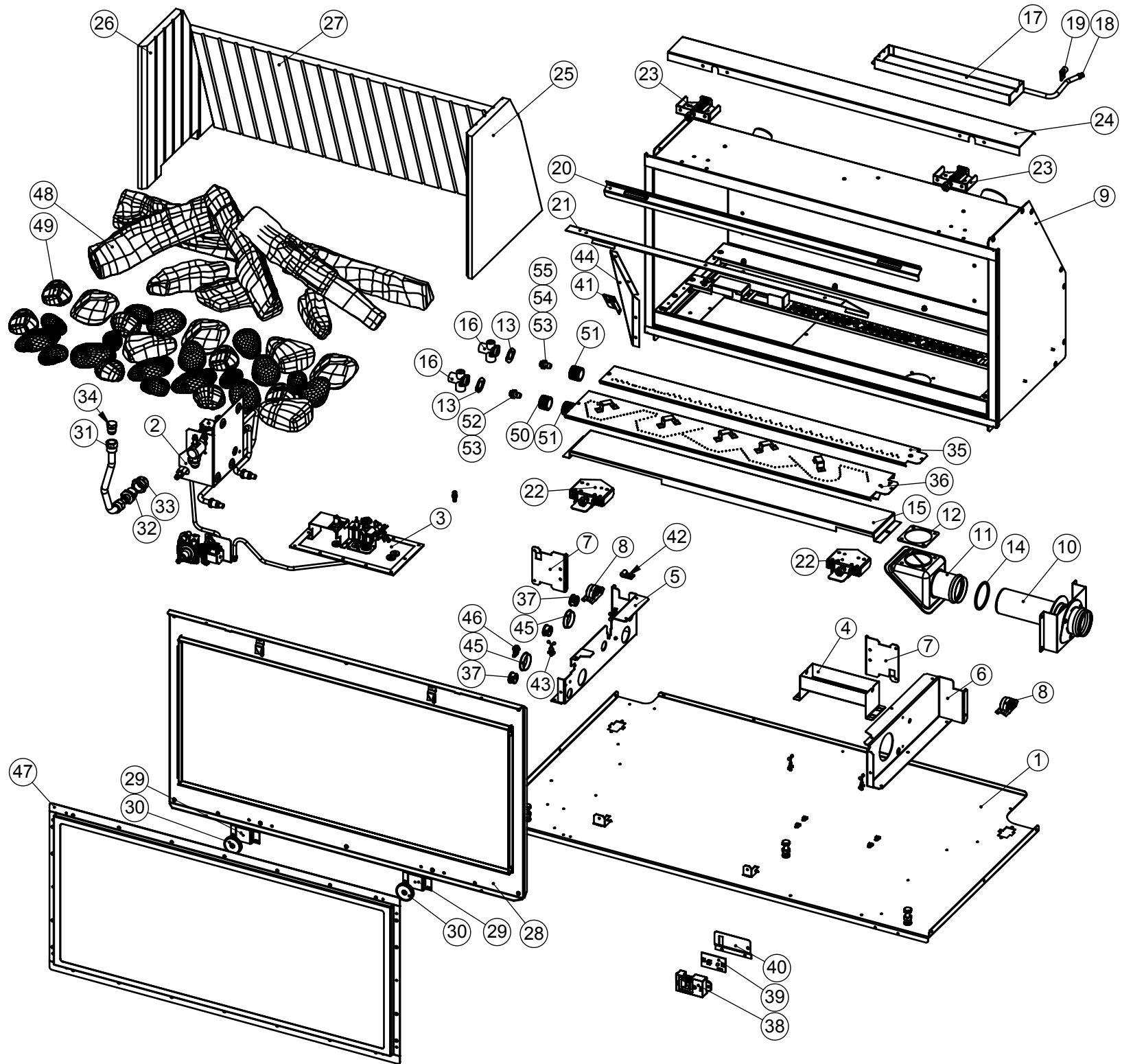


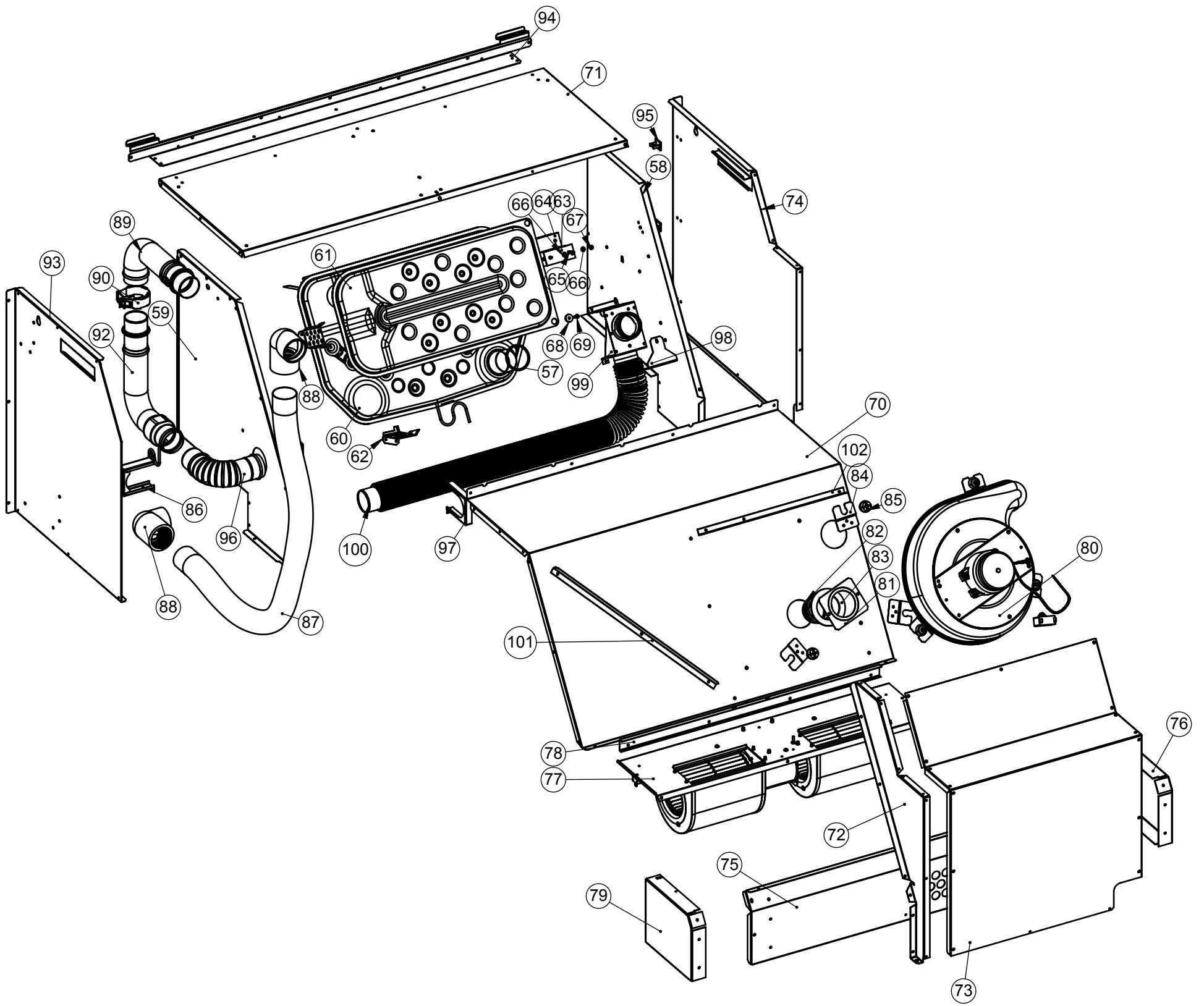
<b>RHFE-952ER</b>			
<b>ITEM</b>	<b>RA PART NO.</b>	<b>DESCRIPTION</b>	<b>RNZ PART NO.</b>
<b>DRAWING 1</b>			
1		PANEL BASE ASSY R952 - UNI CON	<b>13061</b>
2		R952 - MAIN GAS SUPPLY ASSY	<b>See pg 4</b>
3		RHFE952 - PILOT ASSEMBLY - UNI CON	<b>See pg 4</b>
4	<b>90199436</b>	CONDENSATE TRAY BOTTOM R950 V2	<b>12558</b>
5		COMB CHAM SUPPORT LH R952/1252	<b>13076</b>
6		COMB CHAM SUPPORT RH R950	<b>12402</b>
7		BRACKET FASCIA INSTALL R95	<b>12437</b>
8	<b>90199929</b>	WHEEL KIT RHFE750/IBOF	<b>10751</b>
9		COMB CHAMB ASSY R951 PAINTED	<b>12708F</b>
10		AIR INLET ASSY R950	<b>12521</b>
11		AIR INLET BOX FRONT RHFE750ETR	<b>10234</b>
12		PACKING FOR AIR INLET BOX	<b>10271</b>
13	<b>90198815</b>	PACKING INJECTOR BLOCK	<b>10462</b>
14		ORING M10B-4-49	<b>4850</b>
15		AIR DIVERTER R950	<b>12421</b>
16		INJECTOR BLOCK A + C	<b>7953</b>
17	<b>90198841</b>	CONDENSATE TRAY TOP R950	<b>12484</b>
18	<b>90198843</b>	CONDENSATE PIPE R950	<b>12485</b>
19		CABLE CLAMP METAL 7.9mm	<b>9560</b>
20		HEATSHIELD BRKT BLK R950	<b>12423F</b>
21		HEATSHIELD TOP BLK R950	<b>12422F</b>
22	<b>90199733</b>	EXPLOSION RELIEF BOT ASSY RDV36	<b>11663</b>
23	<b>90199731</b>	EXP RELIEF ASSY SPARE	<b>11662</b>
24		RELIEF SPRING COVER BLK R950	<b>12414F</b>
25	<b>90198829</b>	CERAMIC PANEL GROOVE RH R950	<b>12427</b>
26	<b>90198825</b>	CERAMIC PANEL GROOVE LH R950	<b>12425</b>
27	<b>90198827</b>	CERAMIC PANEL GROOVE REAR R950	<b>12426</b>
28	<b>90198832</b>	GLASS FRAME ASSEMBLY R951	<b>12717</b>
29		MAGNET BRKT R950-R1250	<b>12624</b>
30	<b>90184003</b>	MAGNET FS	<b>7136</b>
31	<b>90199647</b>	FLEXTUBE 3/8x8 CW 5/8-18 NUTS	<b>7835</b>
32	<b>90199770</b>	ADAPTOR 1/2 BSP 3/8 SAE FLARE	<b>11944</b>
33	<b>90199772</b>	NUT 1/2 COMPRESSION	<b>5064</b>
34	<b>90199774</b>	BRASS PLUG 3/8" SAE FLARE	<b>11948</b>
35	<b>90189938</b>	BURNER REAR ASSY R1250 BLACK	<b>12626F</b>
36	<b>90198836</b>	BURNER FRONT ASSY R951 BLACK	<b>12710F</b>
37		INSULATING BUSH STD 22-PLB19	<b>10657</b>
38	<b>90198837</b>	PCB CASE RECEIVER RHFE750ETR	<b>10394</b>
39	<b>90198839</b>	PCB RECEIVER RHFE750ETR	<b>10393</b>
40		RECEIVER BRKT R950	<b>12486</b>
41		WIRE BRACKET R950	<b>12488</b>
42		POWERCORD CLAMP H905 No4 IBF	<b>9552</b>
43		CABLE CLIP REH210	<b>6698</b>
44		PANEL PARTITION CC R950	<b>12509</b>
45		GROMMET 22-PPG32	<b>11937</b>
46	<b>90199717</b>	PROTECTOR PLASTIC EDGE EHS11U	<b>1880</b>
47	<b>90198876</b>	DRESS GUARD R951 KIT	<b>R2778</b>
48	<b>R2781</b>	RHFE950 LOG SET	<b>R2781</b>
49	<b>R2780</b>	RHFE950 STONES	<b>R2780</b>
50	<b>90197158</b>	AERATION SLEEVE 16.5 LP <b>FRONT ONLY</b>	<b>12498</b>
51	<b>90197152</b>	AERATION SLEEVE 19.5 NG	<b>12499</b>
52	<b>90198853</b>	INJECTOR 2.1 NG FRONT	<b>12508</b>
53	<b>90199845</b>	INJECTOR 1.90 NG REAR	<b>11205</b>
54	<b>90198851</b>	INJECTOR 1.30 LP FRONT	<b>12506</b>
55	<b>90198849</b>	INJECTOR 1.20 LP REAR	<b>12505</b>

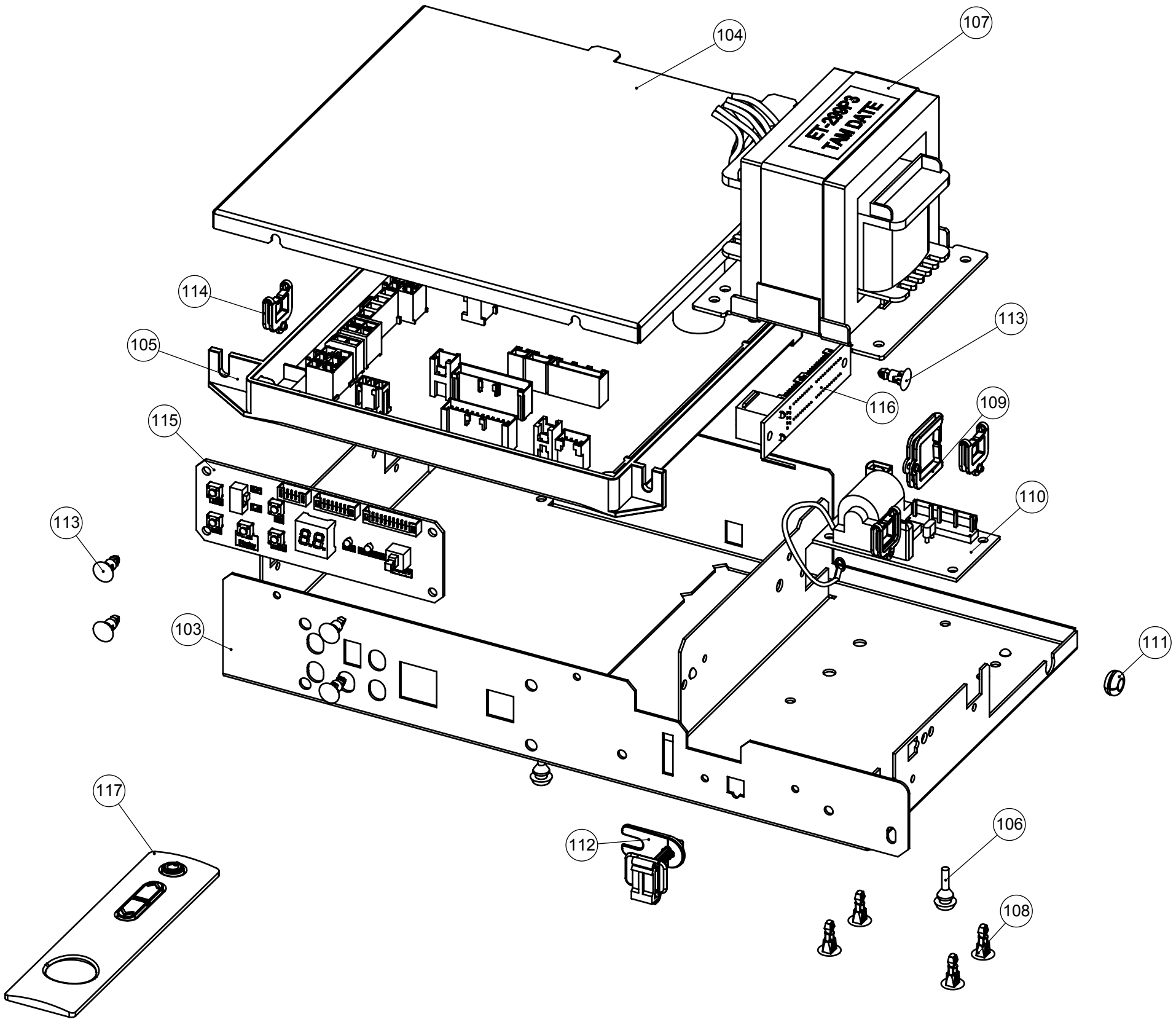
ITEM	RA PART NO.	DESCRIPTION	RNZ PART NO.
<b>DRAWING 2</b>			
ITEM		DESCRIPTION	RNZ PART NO.
57		ORING M10B-4-49	4850
58		PANEL HEATSHIELD LH 952 - UNI CON	13060
59		PANEL HEATSHIELD RH R950	12405
60		HEAT EXCHANGER FRONT R950 PAINT	12525
61		HEAT EXCHANGER REAR RHFE750	10351
62		COMB CHAMB HEAT EXCH BRKT R950 MK2	12419
63		BRKT SOUND ASBORD RHFE	10399
64		HX SOUND ABSORBER RHFE	10477
65		BOLT M4 x 40 304 SS	9077
66		WASHER FLAT M4 ZP	9231
67	90189341	NUT M4 ZP	9186
68		BUSH HX RHFE750	9275
69		SCREW 8X5/8 PAN PHILIPS SS	9018
70		PANEL HEATSHIELD REAR R950	12404
71		PANEL TOP R950	12409
72		PANEL COMB FAN SIDE COVER R950	12412
73		PANEL COMB FAN COVER R950	12413
74		PANEL SIDE LH R1250	12674
75		CONV FAN MOUNT BRKT R950	12433
76		CONV FAN MT SUPPORT LH R950	12434
77	90189948	FAN CONVECTION ASSY R950	12536
78		CONV FAN SPACER BRKT R950	12436
79		CONV FAN MT SUPPORT RH R950	12435
80	90198925	COMBUSTION FAN ASSY RHFE750 Incl.item 81,82,83,84,85	10793
81		BRACKET COMB FAN INLET CLAMP	10508
82		TUBE FAN INLET COMB RHFE	10526
83	90199963	PACKING COMB FAN RHFE750ETR	10278
84		BRKT FAN COMBUSTION RHFE750	10280
85		COMB FAN RUBBER MOUNT	10269
86		BRKT EXHAUST R950	12420
87	90195303	AIR INLET HOSE	10349
88	90199994	AIR INLET ELBOW B 50x50	4328
89	90199991	FLUE PIPE SET 750ETR-132	10313
90	90199992	CLAMP FLUE 50MM	4823
91		TUBE FLUE SLIDE 50 x 135	4326
92		FLUE PIPE COND RHFE750 USA	10446
93		PANEL SIDE RH R1250	12675
94		PANEL TOP EDGE R951	12714
95		CABLE CLIP	10309
96		AIR OUTLET ELBOW Ø50 RHFE750	10334
97		HEAT EXCHANGER CLAMP R950	12468
98		INLET ADAPTOR CLAMP R950	12467
99		HEAT EX INLET ADAPTOR R950	12464
100		PIPE BEND HEAT EXCHANGER R950	12553
101		BRKT A BACK ANTI VIBRATE RHFE	12213
102		BRKT B BACK ANTI VIBRATE RHFE	12214

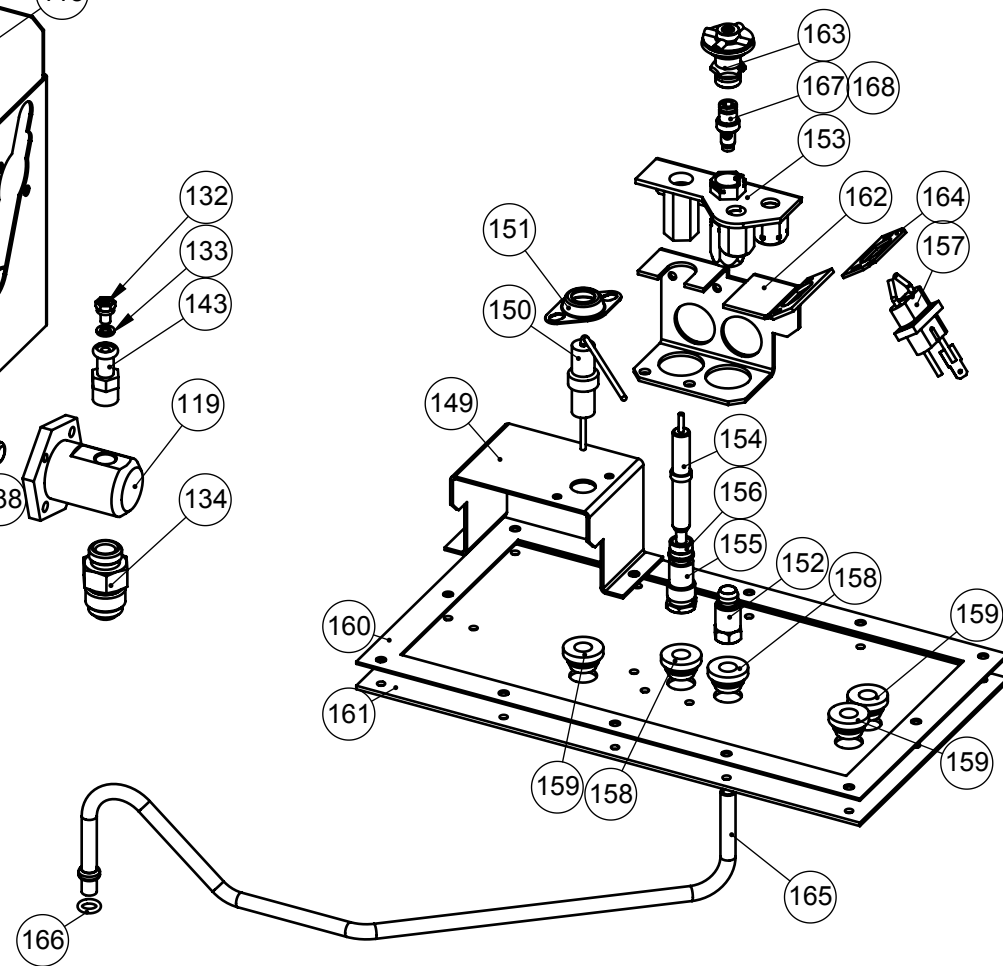
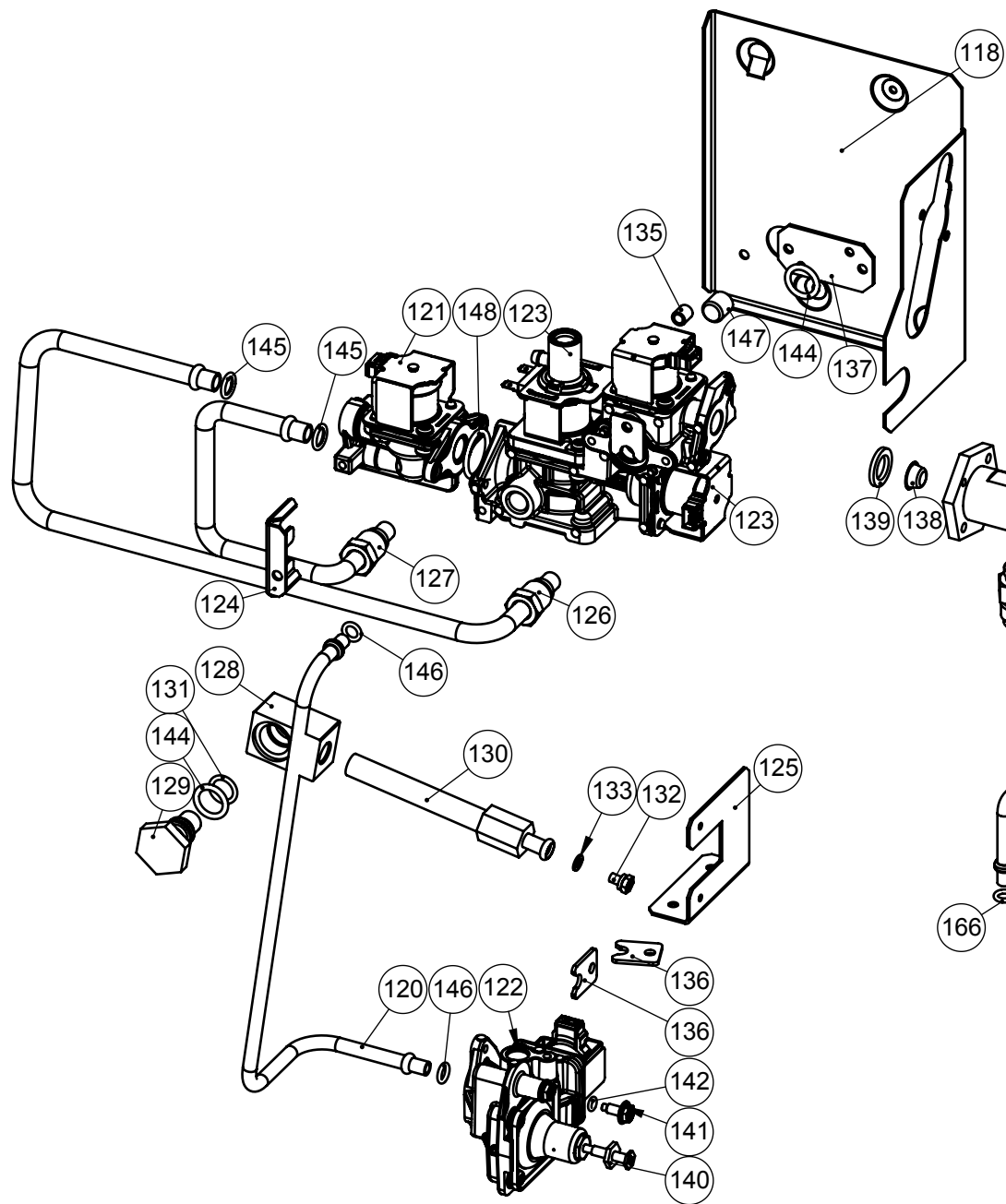
ITEM	RA PART NO.	DESCRIPTION	RNZ PART NO.
<b>DRAWING 3</b>			
ITEM		DESCRIPTION	RNZ PART NO.
103		EL SLIDE BASE RDV36 1	12811
104		PCB BOX LID RDV67 1	12929
105	90199448	PCB MAIN 952 1252 SPARE 1	13150
106		SELF FIX BUMBER 25-TNF 10/2 2	11304
107	90199979	TRANSFORMER RHFE750ETR 1	10258
108		PCB SPACER 4	9004
109		PROTECTOR PLASTIC EDGE EHS18U 2	10471
110	90189951	IGNITER EI-2018 1	13006
111		RUBBER GROMMET IMG010 1	6749
112		THERMISTOR HOLDER RC-312-628 1	7540
113		PCB SPACER 05-PCY06 5	104028
114	90199717	PROTECTOR PLASTIC EDGE EHS11U 3	1880
115	90199971	PCB DISPLAY RHFE750ETR 1	10253
116	90198823	INTERFACE BOARD R950 1	12494
117	90189973	IR REMOTE CONTROL 1	13040
<b>DRAWING 4 A</b>			
ITEM		DESCRIPTION	RNZ PART NO.
118		BRKT GAS CONTROL R952/1252	13024
119		GAS INLET ADAPTOR 1/4 ELBOW	13016
120		PILOT VALVE SUPPLY TUBE - R952	13071
121	90199440	GAS VALVE BURN C023H-23000-1	13002
122	90189949	PILOT REGULATOR C025L-02000-1	13001
123	90189947	GAS VALVE MAIN C036U-23000-1	13000
124		TUBE CLAMP DOUBLE 8	13030
125		PILOT REGULATOR BRACKET - UNI CON	13067
126		GAS SUPPLY TUBE FRONT R952 & R1252	13068
127		GAS SUPPLY TUBE REAR R952	13069
128		TEST POINT ADAPTER OUTLET	13072
129		TEST POINT ADAPTER INNER	13073
130		TEST POINT MAIN RHFE752-952-1252	13017
131	90189901	O RING M10B-1-10	2389
132	90199426	PRESS. TEST POINT SCREW	9994
133	90199428	PRESS. TEST POINT PACKING	9995
134		TEST POINT INSERT - RHFE952-1252	13018
135		SPACER - M4 CLEARANCE - 7.0mm HIGH	13066
136		TUBE CLAMP 6mm	13028
137		COVER PLATE	13003
138		FILTER RCK-6808-2	13019
139		PACKING	10290
140		ADJUST SCREW C/W NUT RR83	6700
141	90199422	TEST POINT SCREW C10D-5-1	3564
142	90199420	O RING M10B-13-4	2239
143		PRESS. TEST POINT	9992
144	90199444	ORING M10B-1-14	13020
145	90199424	O RING M10B-1-8	6642
146	90187873	O RING M10B-1-6	6308
147		PLUG DRYSEAL PRESSURE 1/8"BSP	6243
148	90199446	ORING M10B-1-14	13021

ITEM	RA PART NO.	DESCRIPTION	RNZ PART NO.
<b>DRAWING 4 B</b>			
ITEM		DESCRIPTION	RNZ PART NO.
149		FLAME ROD BKT R952 & R1252 - UNI CON	13063
150	90189962	FLAME ROD RHFE1250	12620
151		FLAME ROD BRKT 556/553	3068
152	90197377	OLIVE 6mm	7519
153	90199843	PILOT BODY TOP CONVERTIBLE	7870
154	90199746	ELECTRODE	7875
155		ELECTRODE NUT ETR	7900
156		SPACER ELECTRODE PILOT	7902
157	90198857	ELECTRODE DBLE RHFE750ETR	10265
158		GROMMET SILICONE Ø4 HOLE R750	10293
159		GROMMET SILICON 2Ø1.8 HOLE 750	10294
160	90199729	GASKET INJECTOR BLOCK R1250	11554
161		PILOT BASE R952 - UNI CON	13062
162		BRKT PILOT R950	12460
163	90198861	PILOT CONVERTIBLE HOOD 4 FLAME	12463
164		BRKT ELECTRODE CLAMP R950	12461
165		GAS TUBE PILOT - R952 UNI CON	13064
166	90187873	O RING M10B-1-6	6308
167	90199903	INJECTOR LPG 40	7905
168	90199905	INJECTOR NG 75	7796
<b>DRAWING 5</b>			
ITEM		DESCRIPTION	RNZ PART NO.
169		FRAME OUTER GALXY SPARE R952	13151
170	90189945	MAN CONTROL SWITCH RDV67	12999
171	90198871	BUTTON RHFE750ETR	10250
172	90199432	SWITCH LABEL R952	12142
173	90198865	FASCIA GALAXY SPARE R950	12528
174	90198867	FASCIA SS SPARE R950	12529
<b>NOT DRAWN</b>			
	90198928	HARNESS CONTROL PANEL	10284
	90199430	CABLE CAT5 x 1.4M RIB23	11923
	90198887	HARNESS 12 WAY CTRL PANEL R95	12492
	90198889	HARNESS 9 WAY CTRL PANEL R95	12496
	90189944	HARNESS COMBUSTION FAN R1250	12655
	90189953	HARNESS FR RHFE950-602	13008
	90199442	HARNESS TFMV RHFE950-606 2BNR	13010
	90189957	THERMAL FUSE RHF265-1014x01	13011
	90189959	HARNESS POV RHF950-612	13012
	90189971	HARNESS THERM UNI RHFE950-620	13033
	90189975	POWER CORD UNI CONTROL BKL	13042
		FERRITE CLAMP	13004

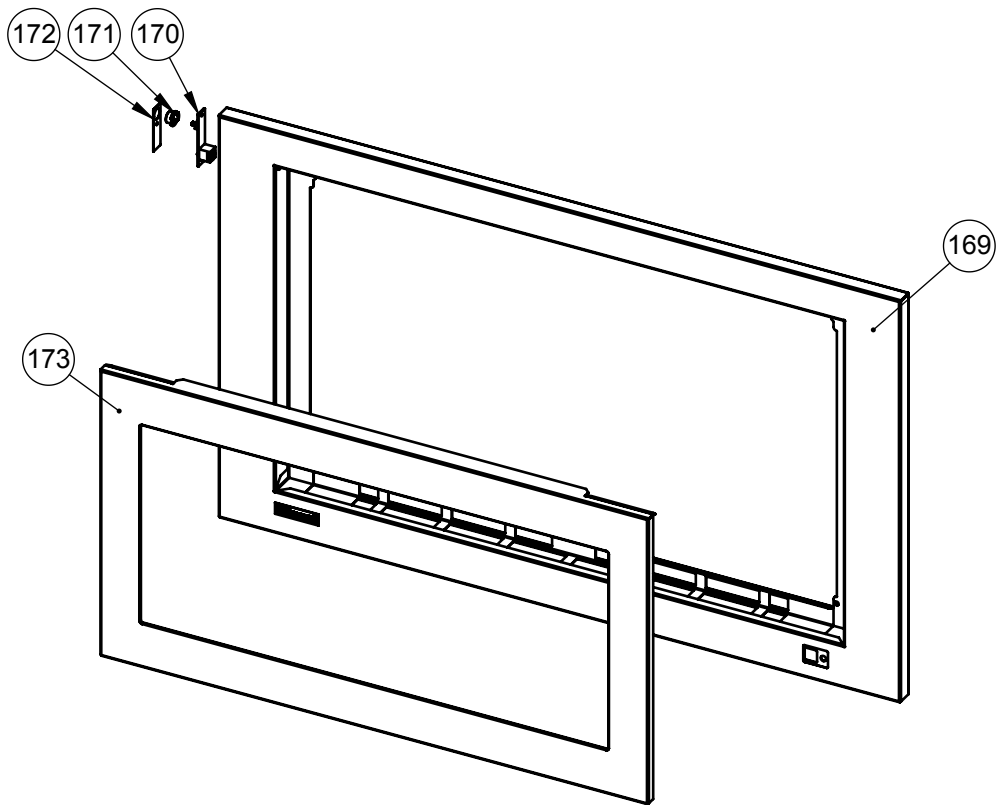












ITEM NO.	PART NUMBER	DESCRIPTION	QTY.
169	13151	FRAME OUTER GALXY SPARE R952	1
170	12999	MAN CONTROL SWITCH RDV67	1
171	10250	BUTTON RHFE750ETR	1
172	12142	SWITCH LABEL R952	1
173	12528	FASCIA GALAXY SPARE R950	1
174	12529	FASCIA SS SPARE R950	1

Item 169 Also include 170,171 and 172