

CHALLENGER WALL MOUNT/RECESSED ELECTRIC FIREPLACE

Model# : ■ CEF-50-AU ■ CEF-60-AU

OWNER'S MANUAL



AC 220-240V 50Hz 1400-1600W

⚠ WARNING

Read and understand this entire owner's manual, including **all safety information**, before plugging in or **using** this product. Failure to do so could result in **fire, electric shock, or serious personal injury**.

⚠ CAUTION

Keep this owner's manual for future reference. If you sell or give this product away, **make sure this manual accompanies this product**.

AFFIX SERIAL NUMBER LABEL HERE
FOR FUTURE REFERENCE



P/N: 07-00125

IMPORTANT SAFETY INFORMATION!

WARNING

- Read all instructions before installing or using this heater.
- **Use a dedicated 10 Amp (or higher) breaker.**
- This heater is **hot when in use**. To avoid burns, **DO NOT** let bare skin touch **hot** surfaces. If provided, use handles when moving this heater. Keep **combustible materials**, such as furniture, pillows, bedding, papers, clothes, and curtains at least **3 feet (0.9m)** from the **front of the heater**, and **keep them away from the sides and rear**.
- **Extreme caution** is necessary when any heater is used by or near **children** or **invalids** and whenever the heater is left **operating and unattended**.
- **Do not operate** any heater after it malfunctions. **Disconnect power** at service panel and have heater inspected by a reputable electrician before reusing.
- **Do not use outdoors.**
- To disconnect heater, turn controls to off, and turn off power to heater circuit at main disconnect panel (or operate internal disconnect switch if provided).
- **Do not insert** or allow foreign objects to enter any ventilation or exhaust opening as this may cause an electric shock, fire, or damage the heater.
- To prevent a possible fire, **do not block** air intakes or exhaust in any manner.
- A heater has hot arcing or sparking parts inside. **Do not use** in areas where gasoline, paint, flammable vapors, or liquids are used or stored.
- **Use this heater only as described in the manual. Any other use not recommended by the manufacturer may cause fire, electric shock, or injury to persons.**
- This heater may include an audible or visual alarm to warn that parts of the heater are getting excessively hot. If the alarm sounds (or illuminates), immediately turn the heater off and inspect for any objects on or adjacent to the heater that may have blocked the airflow or otherwise caused high temperatures to have occurred. **DO NOT OPERATE THE HEATER WITH THE ALARM SOUNDING (OR ILLUMINATING).**
- **ALWAYS** plug heaters directly into a wall outlet/receptacle. **NEVER** use with an extension cord or relocatable power tap (outlet/power strip).
- **NEVER** use this heater in **bathrooms, laundry rooms**, or any other location where the heater could fall into a **bathtub, pool, become damp, or come in contact with water**.
- **AVOID FIRE!** Regularly inspect all air vents to make sure they are free from dust, lint, or other blockage. **Unplug the unit** and clean with a **vacuum ONLY**. **DO NOT** rinse or get wet.
- **ALWAYS** mount to wall bracket before use. **DO NOT** set on the floor, or other surface, to use.
- **NEVER** use a wall mount bracket from another manufacturer.
- This product is **not intended** to be a **primary heat source**. It is for **supplemental heat only**.
- **INDOOR use only! NEVER** use this heater **outdoors!** Doing so may result in **electric shock!**

- **ALWAYS disconnect** this unit from the **power** supply **before** performing any assembly or cleaning, or before relocating the electric fireplace.
- **NEVER** leave this heater unattended. **ALWAYS** unplug this heater when not in use.
- **ALWAYS** store this heater in a dry location. **NEVER** use the fireplace if it has become wet.
- **NEVER** plug this heater into an outlet that is **old, cracked,** or has any **loose wires or connections**. Plugging this heater into a faulty outlet could result in **electric arcing** within the outlet that could cause the **outlet to overheat or catch fire**.
- **ALWAYS** check your heater cord and plug connections with **each use**.
 - i) **MAKE SURE** the plug fits tight in the outlet. Faulty wall outlet connections or loose plugs can cause the outlet to overheat.
 - ii) **Heaters draw more current** than small appliances. **Overheating** may occur even if it has not occurred with the use of other appliances.
 - iii) During use **check frequently** to see if the **plug outlet or face plate is HOT**.
 - iv) If the outlet or face plate is **HOT, discontinue use immediately** and have a qualified electrician inspect and/or replace the faulty outlets.
- **SAVE THESE INSTRUCTIONS.**

PREPARATION

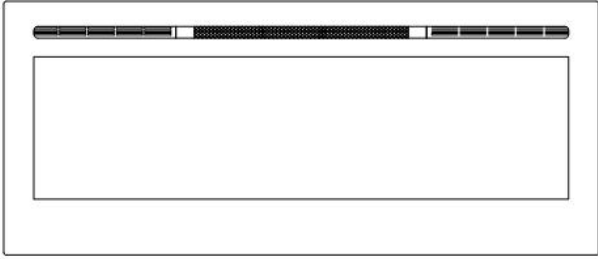


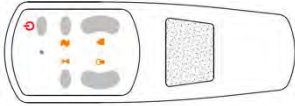


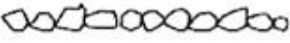

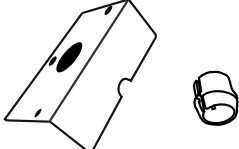


This product includes a **GLASS panel**. Always use extreme caution when handling glass. Failure to do so could result in **personal injury** or **property damage**.

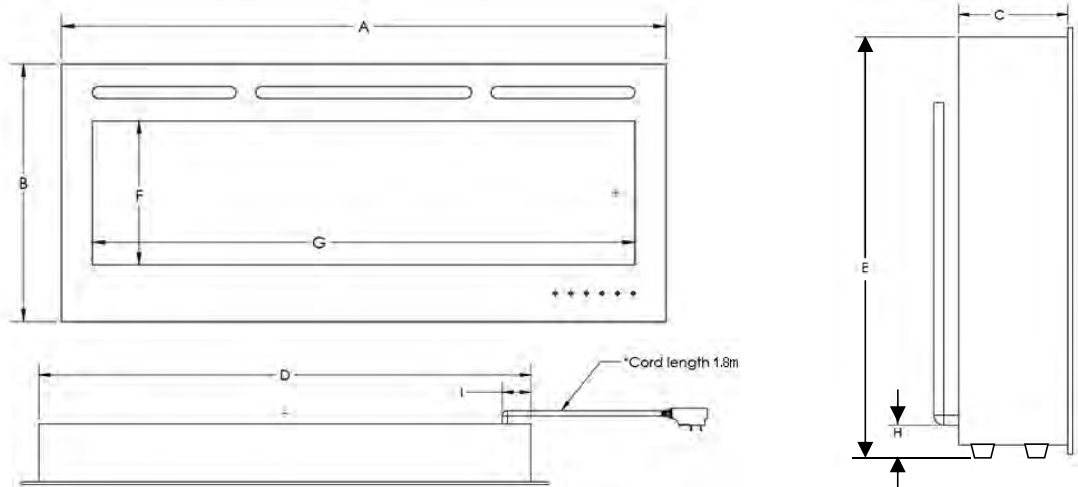
Remove all parts and hardware from the carton and place them on a clean, soft, dry surface. Parts and assembly steps are grouped for wall-hanging or recessing use. Check the parts list to make sure nothing is missing. Dispose of packaging materials properly. Please recycle whenever possible.

You will need the following tools (not included): Phillips screwdriver, stud finder, level, tape measure, electric drill, 1/4" wood drill bit, and hammer.

PARTS AND HARDWARE

 <p>A – Fireplace</p>		 <p>B – Wood Screws</p>
		 <p>C – Drywall anchors</p>
 <p>D – Remote Control</p>	 <p>E – Metal Bracket</p>	 <p>F – Wall Bracket Fixed on back of firebox</p>
 <p>G – Glacier Crystals</p>	 <p>H – Plastic Tray</p>	 <p>I – Hardware Kit</p>

SPECIFICATION AND DIMENSION



PRODUCT DIMENSIONS

Model Number	A	B	C	D	E	F	G	H	I
CEF-50-AU	50-3/8" (1280mm)	21-7/16" (544mm)	5-3/4" (146mm)	47-1/16" (1195mm)	20-9/16" (522mm)	12" (305mm)	45-1/4" (1149mm)	1-3/8" (36mm)	7-1/4" (184MM)
CEF-60-AU	59-7/8" (1520mm)	21-7/16" (544mm)	5-3/4" (146mm)	47-1/16" (1195mm)	20-9/16" (522mm)	12" (305mm)	45-1/4" (1149mm)	1-3/8" (36mm)	7-1/4" (184MM)

INSTALLATION AND ASSEMBLY

Your appliance is a recessed, partial recessed or wall-mount installed appliance. Select a suitable location that is not susceptible to moisture and is away from drapes, furniture, and high traffic areas.

NOTE: Follow all National and local electrical codes.

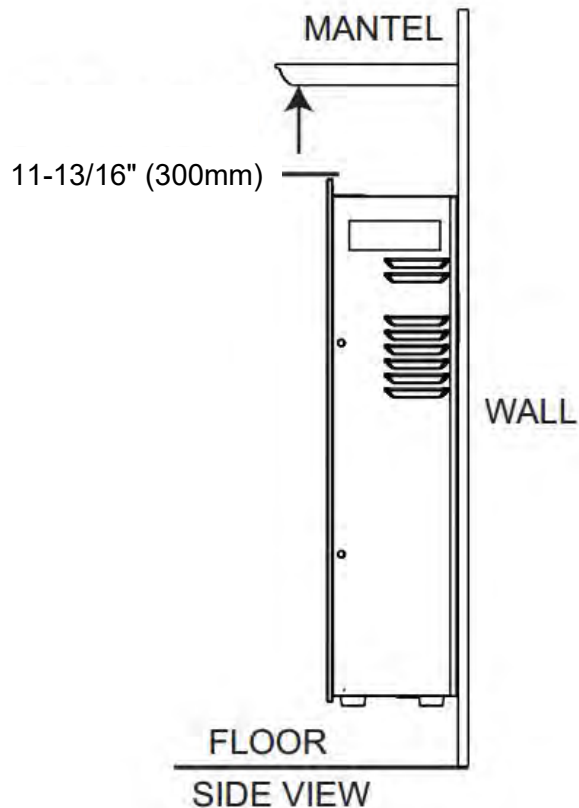
MINIMUM CLEARANCE TO COMBUSTIBLES

Measurements are taken from the glass front.			
Bottom	0"	Top	11-13/16" (300mm) to mantel
Sides	0"	Top	11-13/16" (300mm) to ceiling
Back	0"		

MINIMUM MANTEL CLEARANCES

WARNING

WHEN USING PAINT OR LACQUER TO FINISH THE MANTEL, THE PAINT OR LACQUER MUST BE HEAT RESISTANT TO PREVENT DISCOLOURATION.



FRONT GLASS REMOVAL / INSTALLATION

- A. With one hand on the front glass to prevent it from falling, remove the two screws (1 per side) from the side of the appliance (**Fig. 1-1**). Set the screws aside.
- B. Carefully lift the front glass up and away from the appliance (**Fig. 1-2**). Place it face down on a soft, non-abrasive surface.
- C. Reverse these steps to install the front glass.

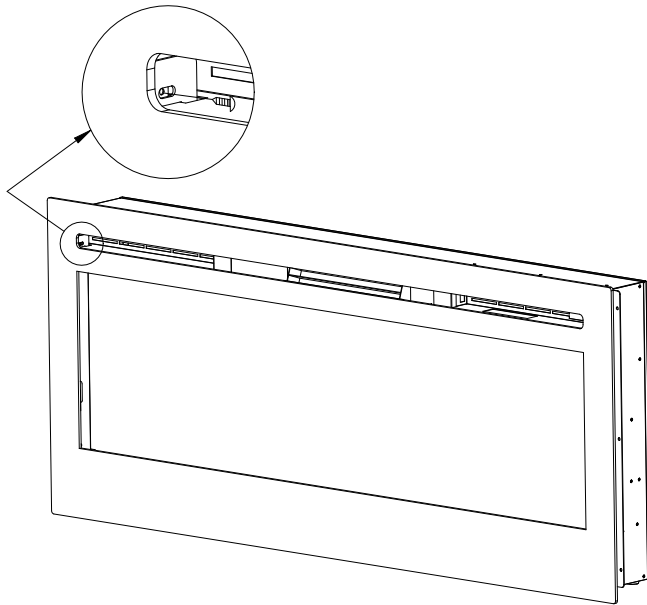


Fig. 1-1

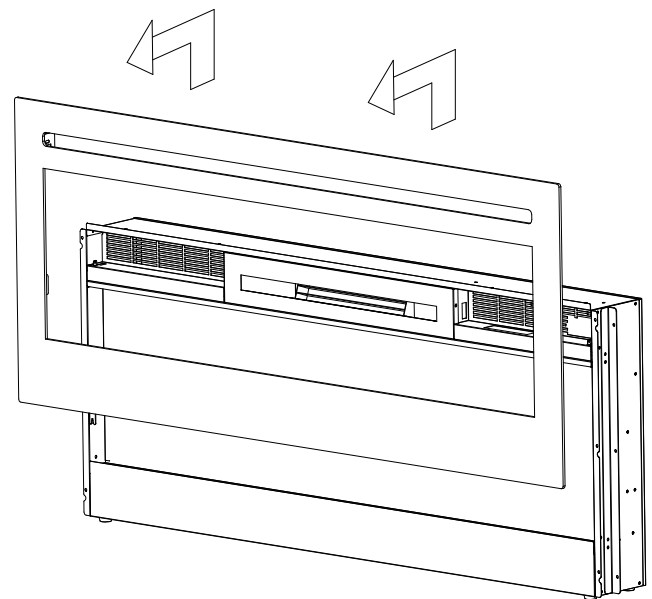


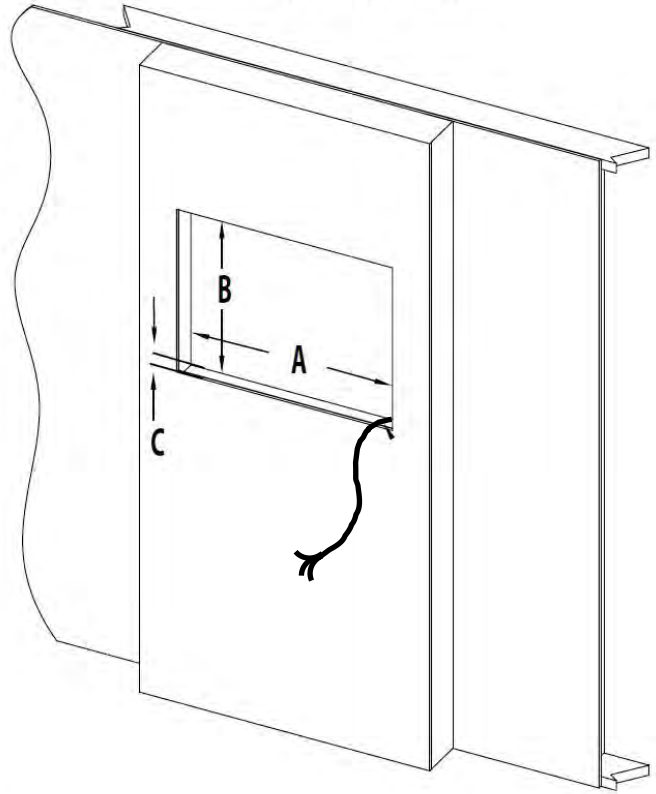
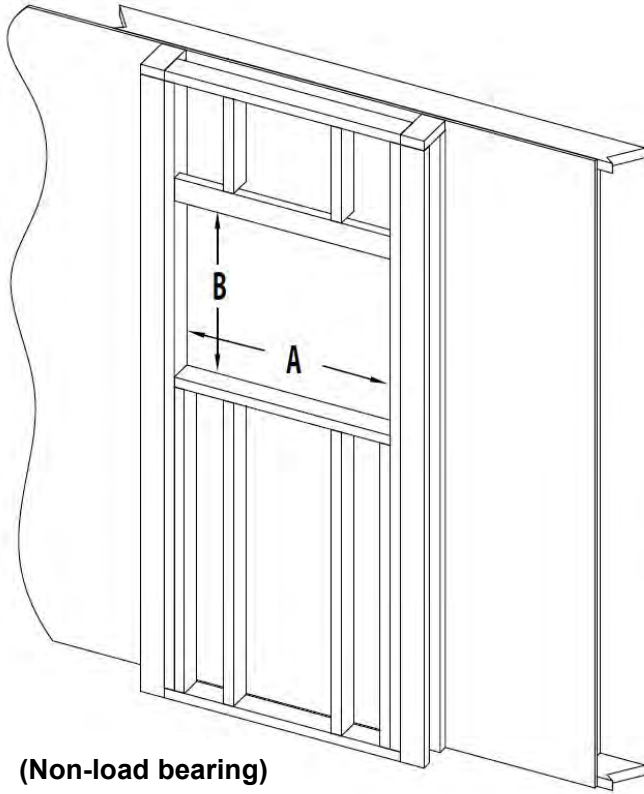
Fig. 1-2

RECESSED PRE-INSTALLATION

Due to the many different materials used on different walls, it is highly recommended that you consult your local builder before you install this appliance on the wall.

- A. Select a location that is not prone to moisture and is located at least 36" (94.1cm) away from combustible materials such as curtain drapes, furniture, bedding, paper, and etc.
- B. Measure the appliance and create a rough-in frame with electrical (see below "framing").
- C. Remove the front glass (see "front glass removal / installation" section).
- D. Hold the appliance up to ensure it will fit into the framing.

Finishing Material



FRAMING HOLE SIZE			
Model Number	A	B	C
CEF-50-AU	47-1/4" (1200mm)	20-3/4" (527mm)	5-1/2" (140mm)
CEF-60-AU	47-1/4" (1200mm)	20-3/4" (527mm)	5-1/2" (140mm)

FULLY RECESSED INSTALLATION

Note: Remove power cord and complete hardwiring (see “hardwiring installation” section). Have two people to lift the fireplace and insert to the wall opening hole.

If the appliance is fully recessed into the wall:

- Use the 6 screws (provided) to lock the appliance into the wall with the existing two side flanges, see Figure 2-1.
- Install the media and re-install the glass front.

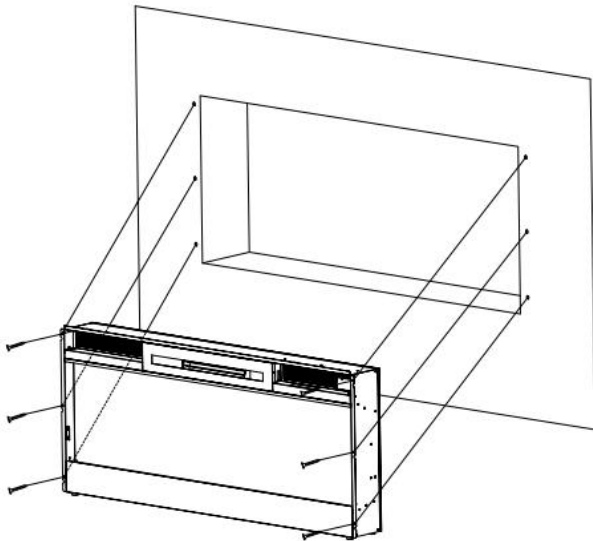


Fig. 2-1

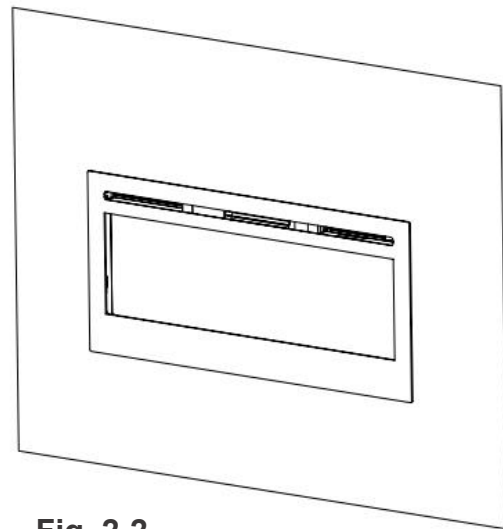


Fig. 2-2

If partial recess into the wall:

Use the four mounting metal brackets **E** (supplied) to lock the appliance to the wall, see **Figure 2-3**.

NOTE: Using the existing holes on sides of the appliance for recessing into wall.

Fireplace will be like this after installation **Figure 2-4**.

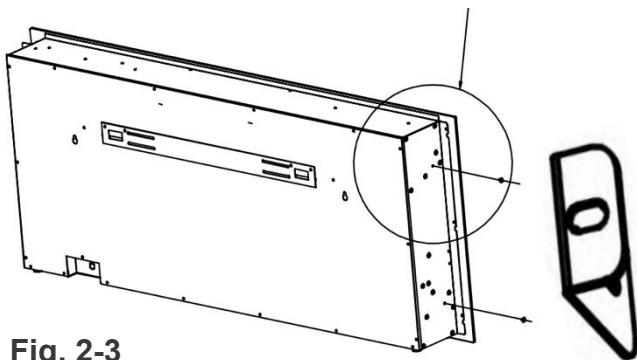


Fig. 2-3

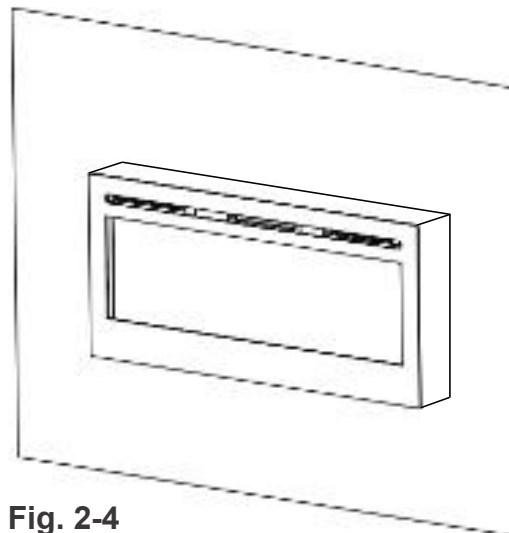
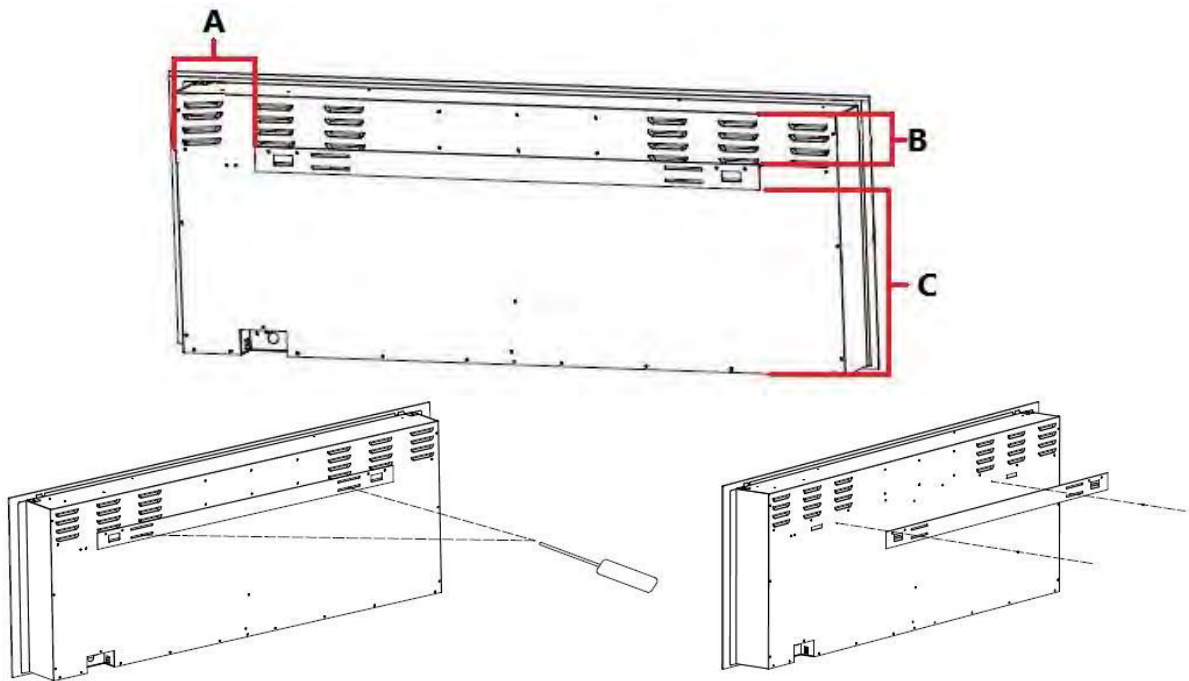
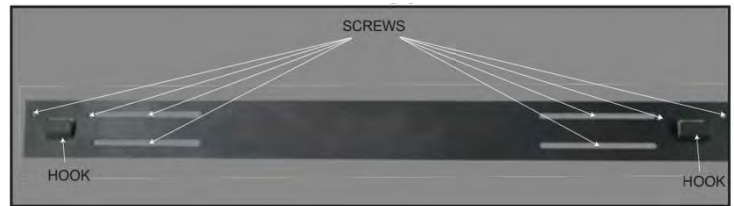


Fig. 2-4

WALL MOUNTED INSTALLATION

Due to the many different materials used on different walls, it is highly recommended that you consult your local builder before you install this appliance on the wall.

- A. **NOTE: A dedicated 10 Amp (or higher) breaker is required.**
- B. Select a location that is not prone to moisture and is located at least 36" (914mm) away from combustible materials such as curtain drapes, furniture, bedding, paper, and etc.
- C. Have two people hold the appliance against the wall to determine the final location.
- D. Place unit face down on a soft, non abrasive surface. Remove the bracket from the back of the unit by removing the screws.
- E. Mark location, then mount the bracket(s) onto the wall using the supplied screws. This bracket **MUST** have the hooks facing upward and be level. **NOTE: It is strongly recommended that the mounting bracket (F) be screwed into the wall studs where possible. If the wall studs cannot be used, ensure the supplied plastic anchors are used to affix the bracket to the wall and the bracket is adequately secured.**
- F. With the wall mounting bracket installed have two people lift the appliance up and insert the two hooks on the bracket into the two slots on the back of the appliance.
- G. Check the appliance for stability ensuring that the bracket will not pull free from the wall.



A	B	C
4-5/8" (118mm)	10-7/8" (276mm)	13-3/4" (349mm)

Wall Bracket Illustrated

HARD WIRING INSTALLATION

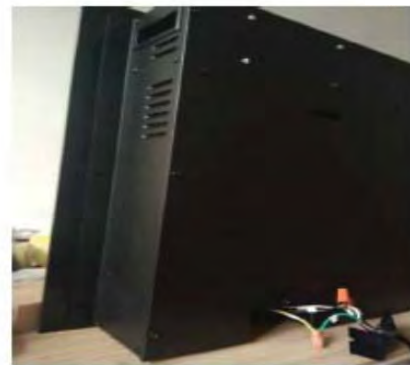
WARNING

TURN OFF THE APPLIANCE COMPLETELY AND LET COOL BEFORE SERVICING. ONLY A QUALIFIED SERVICE PERSON SHOULD SERVICE AND REPAIR THIS ELECTRIC APPLIANCE.

HARD WIRING CONNECTION

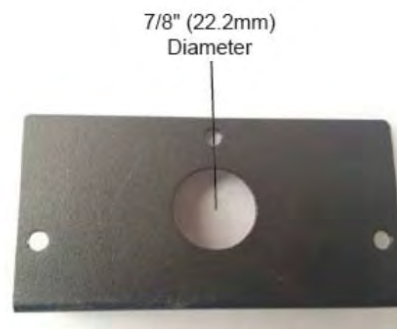
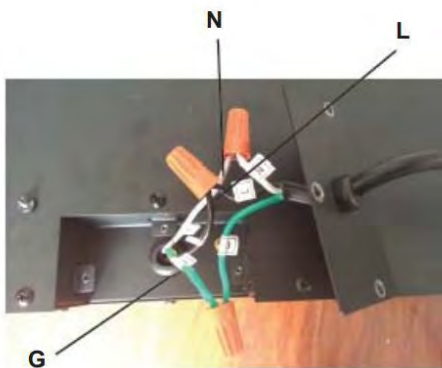
If it is necessary to hard wire this appliance, a qualified electrician must remove the cord connection, and wire the appliance directly to the household wiring. **NOTE: A dedicated 10 Amp (or higher) breaker is required.**

This appliance must be electrically connected and grounded in accordance with local codes if hard wired.



TURN OFF POWER FROM CIRCUIT BREAKER FIRST

- Remove the cover plate from the right side bottom of the appliance by removing the three screws, as shown above.
- Remove the wire connectors from the power cord. The power cord may be discarded.
- Take the new cover plate, supplied in the hardware bag and punch out the 7/8" (22.2mm) hole and install a box connector through, into the junction box. Snap the box connector clamp onto the supply wires.
- Using the wire connectors, connect the ground green wires (G), the common white wires (N) together, then the hot black wires (L).
- Re-install the cover plate using the three screws.



Cable connector (I)

Cover plate (I)

GLACIER CRYSTAL INSTALLATION

- A. Glass front must be removed and the appliance must be mounted in its final location before the glacier crystals are installed.
- B. Place the plastic tray (H) into the fireplace ember bed. Then carefully place crystals onto the plastic tray as illustrated. Apply an even layer from side to side. **Figure 3-1 & Figure 3-2.**

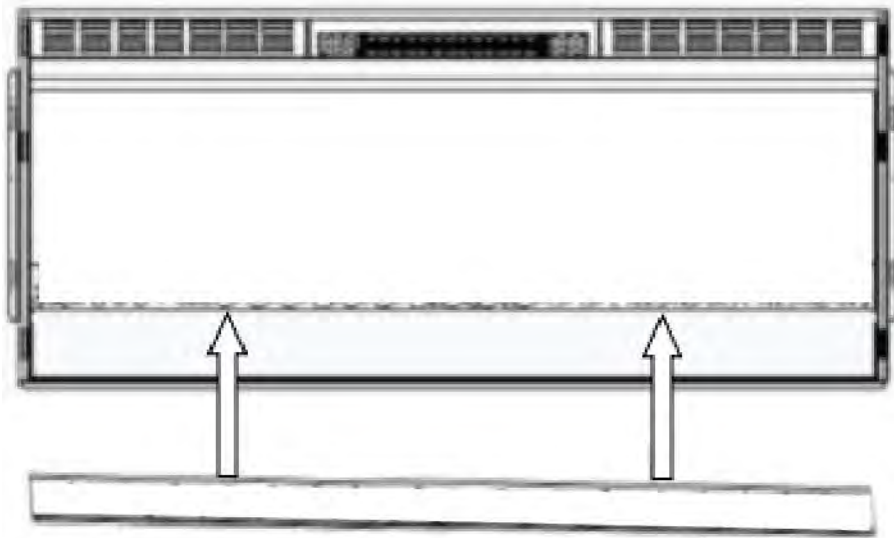


Fig. 3-1



Fig. 3-2

OPERATION



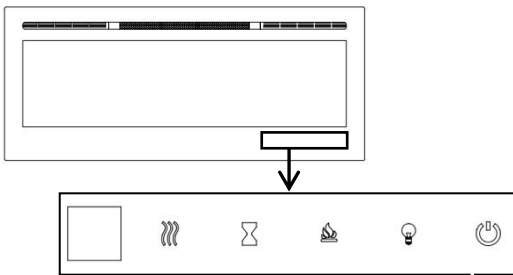
Read and understand this entire owner's manual, including **all safety information**, before plugging in or **using** this product. Failure to do so could result in **electric shock, fire, serious injury, or death.**

Power

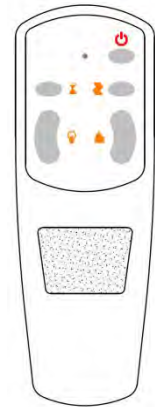
Plug the power cord into a dedicated 220~240 Volt 10 Amp grounded outlet (see **IMPORTANT SAFETY INFORMATION** on **Pages 2 and 3**). Make sure the outlet is in good condition and the plug is not loose. **NEVER** exceed the maximum amperage for the circuit. **DO NOT** plug other appliances into the same circuit.

Methods of Operation

This electric fireplace can be operated by the TOUCH-ON CONTROL PANEL, located on the lower right corner of the fireplace or by the battery-powered REMOTE CONTROL.








Touch on control panel



Remote control

Remote Control & Touch-on Control Panel Operation

BUTTON	FUNCTION	ACTION & INDICATION
 POWER	ON: Enables control panel functions and remote control. Turns on flame effect. OFF: Disables control panel functions and remote control. Turns off flame effect.	1. Press once. Indicator light turns on. Power turns on. All functions enabled. 2. Press again. Flame effect turns off. Unit goes to standby. All functions turn off.
 TIMER	TIMER BUTTON: Controls timer settings to turn off fireplace at selected time. Settings range from 0.5 hours to 7.5 hours.	1. Press once. Indicator light turns on. Timer is set to 0.5 hours. 2. Press again until desired setting is reached. Raises in 0.5 increments.

 FLAME	<p>FLAME BUTTON : Makes flame effect dimmer and brighter.</p> <p>NOTE: Flame effect stays on until power button is turned off. Flame effect must be on for heater to turn on.</p>	<ol style="list-style-type: none"> 1. Press once. Flame brightness effect gets changing. 2. Press again. Until desired setting is reached.
 COLOR	<p>COLOR BUTTON: Makes the color flame effect changing.</p> <p>NOTE: Color effect stays on until power button is turned off. Color flame effect must be on for heater to turn on.</p> <p>NOTE: This fireplace is with memory function for flame.</p>	<ol style="list-style-type: none"> 1. Press once. Flame & ember bed color change. 2. Press again until desired setting is reached, In total 10 colors.
 HEATER	<p>HEATER BUTTON: Turns heater on and off.</p> <p>NOTE: The heater only works when the flame effect is on. If the flame effect is off, the heater will not turn on.</p> <p>NOTE: To prevent overheating, the heater fan will blow cool air for 8-10 seconds after the heater turns off.</p>	<ol style="list-style-type: none"> 1. Press once. Indicator lights up. Fan blows cool air for 10 seconds. 750W heater turns on and blows warm air. 2. Press again. Indicator lights up. 1500W heater turns on and blows hot air. 3. Press again. Heaters turn off. The fan blows cool air for 10 seconds to allow heater to cool down, then turns off.

NOTICE	When the heater is first turned on, a slight odor may be present. This is normal and should not occur again unless the heater is not used for a long period of time.
---------------	--

NOTICE	To improve operation, aim the remote control at the front of the fireplace. DO NOT press the buttons too quickly. Give the unit time to respond to each command.
---------------	--

Temperature Limiting Control

This heater is equipped with a Temperature Limiting Control. Should the heater reach an unsafe temperature, the heater will automatically turn **OFF**. To reset:

1. Unplug the power cord from the outlet or turn **OFF** dedicated circuit breaker. Wait 5 minutes to reset.
2. Inspect the fireplace to make sure no vents are blocked or clogged with dust or lint. If they are, use a vacuum to clean the vent areas.
3. Plug the power cord back into the outlet or turn **ON** dedicated circuit breaker.
4. If the problem continues, have your outlet and wiring inspected by a professional.

Remote Control Battery Information

- Remote control uses two **AAA** batteries. (Not Included)

CARE AND MAINTENANCE

Cleaning



ALWAYS turn the heater **OFF** and **unplug the power cord from the outlet** or turn off dedicated circuit breaker before cleaning, performing maintenance, or moving this fireplace. Failure to do so could result in **electric shock, fire, or personal injury**.



NEVER immerse in water or **spray with water**. Doing so could result in **electric shock, fire, or personal injury**.

Metal:

- Buff using a soft cloth, slightly dampened with a mild solution of dish soap and warm water.
- **DO NOT** use brass polish or household cleaners as these products will damage the metal trim.

Glass:

- Use a good quality glass cleaner sprayed onto the cloth or towel. Dry thoroughly with a paper towel or lint-free cloth.
- **NEVER** use abrasive cleansers, liquid sprays, or any cleaner that could scratch the surface.

Vents:

- Use a vacuum or duster to remove dust and dirt from the heater and vent areas.

Plastic:

- Wipe gently with a slightly damp cloth and a mild solution of dish soap and warm water.
- **NEVER** use abrasive cleansers, liquid sprays, or any cleaner that could scratch the surface.

Maintenance



Risk of electric shock! DO NOT OPEN any panels! No user-serviceable parts inside!



ALWAYS turn the heater **OFF** and **unplug the power cord from the outlet** or turn off dedicated circuit breaker before cleaning, performing maintenance, or moving this fireplace. Failure to do so could result in **electric shock, fire, or personal injury**.

Electrical and Moving Parts:

- The fan motors are lubricated at the factory and will not require lubrication.
- Electrical components are integrated in the fireplace and are not serviceable by the consumer. Please contact Customer Service for support.

Storage:

- Store heater in a clean dry place when not in use.



WARNING! NO SERVICING of the internal or electrical parts should be performed by the consumer. Do not service the unit yourself.

Spare Parts, Part Numbers	Model CEF-50-AU	Model CEF-60-AU
Front Glass	04-00020	04-00021
Acrylic Plastic Panel		03-00035
Motor		01-00201
Blower		01-00199
Heater		01-00200
LED FLAME LIGHT		01-00035
Remote Control		01-00036
Touch-On Control Panel		01-00037
Remote Receiver		01-00038
Circuit Board		01-00039

Special Order Parts	Model CEF-50-AU	Model CEF-60-AU
Metal Bracket, Silver, LED PCBA		02-00185
Metal Grill, Heater		02-00186
Metal Grill, Left		02-00187
Metal Grill, Right		02-00188
Metal Bracket, Spinel Rod/Motor		02-00189
Plastic Strip, Ember Bed		03-00037
Reflector Spindle Assembly		02-00235
Hardware Kit		02-00236
Glacier Crystals, Clear		GC-CLEAR-3.5
Metal Bracket, Top of Flame Screen		02-00237
Flame Enhancer		02-00238
Bracket, Wall Mount		02-00239

DO NOT RETURN TO STORE!



CALL US FIRST

For immediate help with installation, product information or if your product arrives damaged, please call our toll-free number at:

AUSTRALIA/NEW ZEALAND

07 5630 6840

(Monday – Friday, 9:00AM – 4:00PM, AEST)

Or email us at:

EUROPE

+46 762 09 58 09

(Monday – Friday, 9:00AM – 4:00PM, CEST)

Or email us at:

europa@modernflames.com

North America

1-877-246-9353

(Monday – Friday, 8:00AM – 5:00PM, AZ MST)

Or email us at:

customerservice@modernflames.com

OUR STAFF IS READY TO PROVIDE ASSISTANCE

RPG BRANDS

RPG BRANDS FAMILY OF COMPANIES



customerservice@modernflames.com

modernflames.com

Copyright © 2024 RPG Brands (Modern Flames). All rights reserved. Products and specifications subject to change without notice.
The product images shown are for illustration purposes only and may not be an exact representation of the product.

02024