

INSPIRE MK2

700 | 900 | 1100



REAL  FLAME

INSPIRE MK 2

The Inspire MK2 range builds on the existing elements of the popular Inspire gas fireplace with improvements on functionality and features. The High Efficiency range operates on Natural gas and LPG and is equipped with the versatile power balanced flue technology, enabling installation in a variety of applications. Making installation of the fireplace uncomplicated and straightforward.

Keeping you warm

This heater range is designed for efficient combustion with up to 4.1 to 4.6 star rating and maximised performance by heating between 70-100m² of your space dependant on the heater size. With the repositioning of the fan motor to the rear of the unit the Inspire range performs quieter.

Australian Made

The Inspire range is Australian made and available in 3 sizes - 700, 900 and 1100. The updated slimmer trim provides a significantly larger viewing area of the fire. Choose from driftwood or the all new snowgum media options. Found in the Victoria highlands the inspiration of the new Snowgum media is derived from natural elements capturing the red, white and brown colour tones from the actual snowgum tree.





KEY SELLING FEATURES



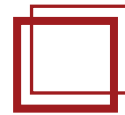
SIZE OPTIONS

Available in 3 different sizes 700, 900, 1100



MEDIA FUEL SET

2 fuel bed options. Driftwood or Snow Gum



FASCIA

Slimmer Fascia trims allowing for a larger viewing window



REMOTE CONTROL

Convenience of operation with a touch of a button.



CHARMING FLAME PATTERNS

New and improved burner for an unmatched flame pattern.



POWERFUL ROOM COVERAGE

Heats up room from 70m² to 100m² with 5.1kW to 6.9kW output to keep those winter chills away.



MULTIPLE FLUE INSTALLATION

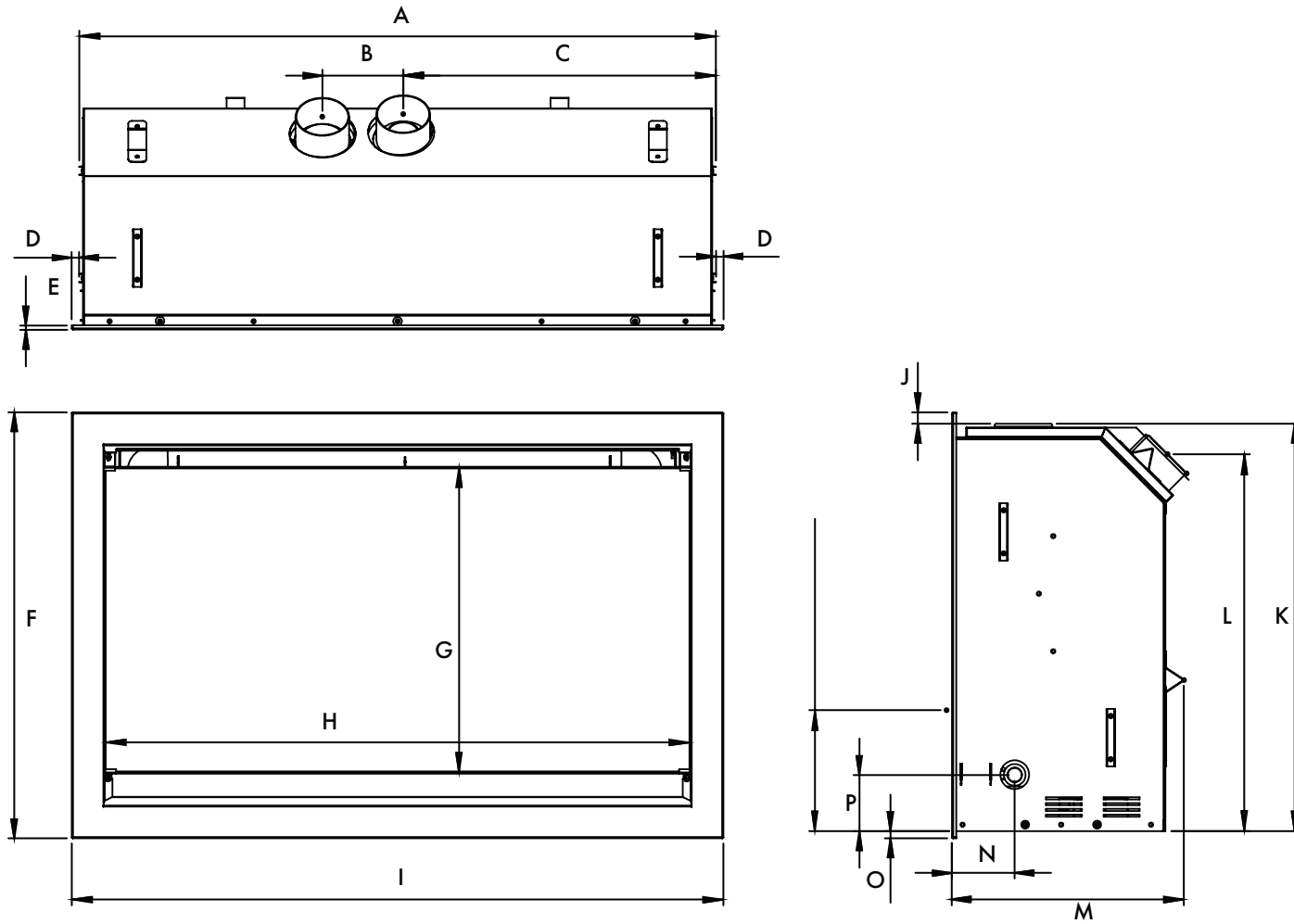
with up to 8.5m flue: horizontal, vertical, or under the floor. Install 0-8.5m with the insulated balanced powerflue kit.



QUIET FAN

Developed with a quiet motor and fan.

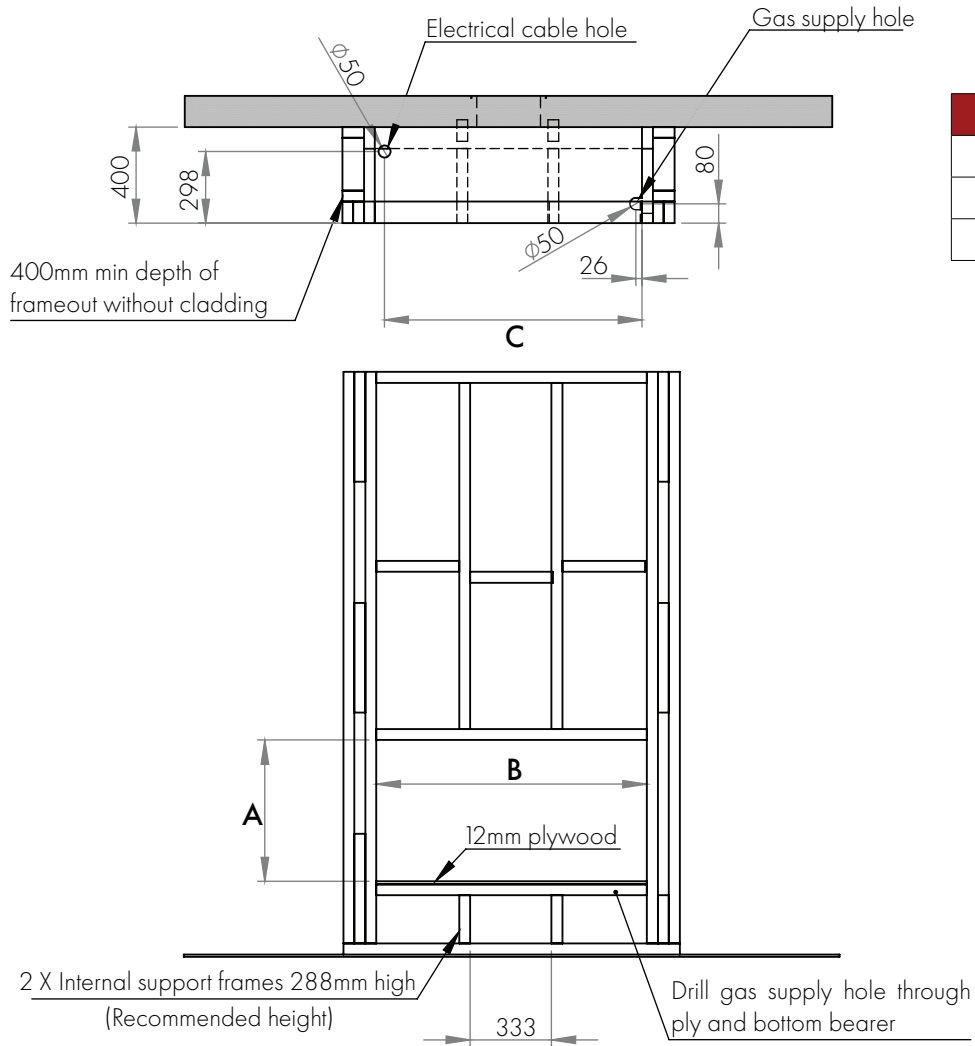
UNIT DIMENSIONS



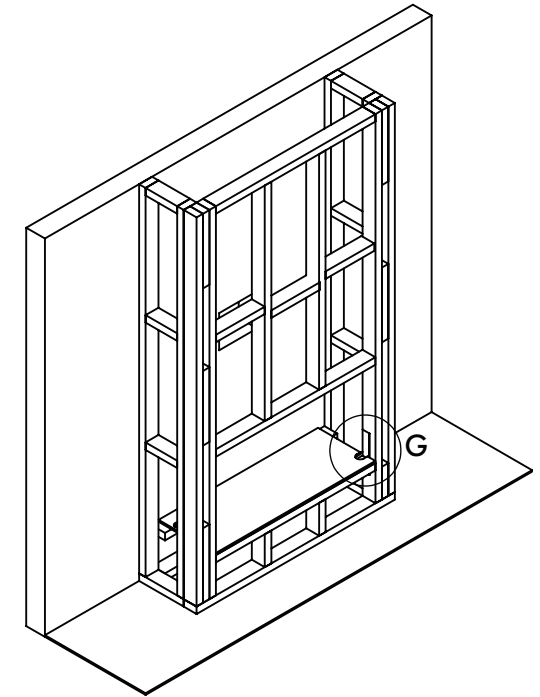
MODEL	A	B	C	D	E	F	G	H	I	J	K	L	M	N	O	P
INS700	682	112	334	11	7.5	592	425	610	705	16	566	524	322	87	10	78
INS900	884	112	434	11	7.5	592	425	810	905	16	566	524	322	87	10	78
INS1100	1084	212	434	11	7.5	592	425	1010	1105	16	566	524	322	87	10	78

MINIMUM FRAMING DIMENSIONS

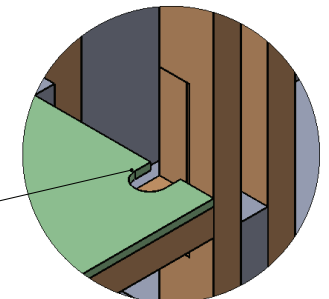
WITH PINE FRAME



UNIT	A	B	C
INS700	575	700	670
INS900	575	900	870
INS1100	575	1100	1070



Recommended timber checkout 50mm x 200mm x 45mm Timber depth for gas clearance - RH side only



DETAIL G

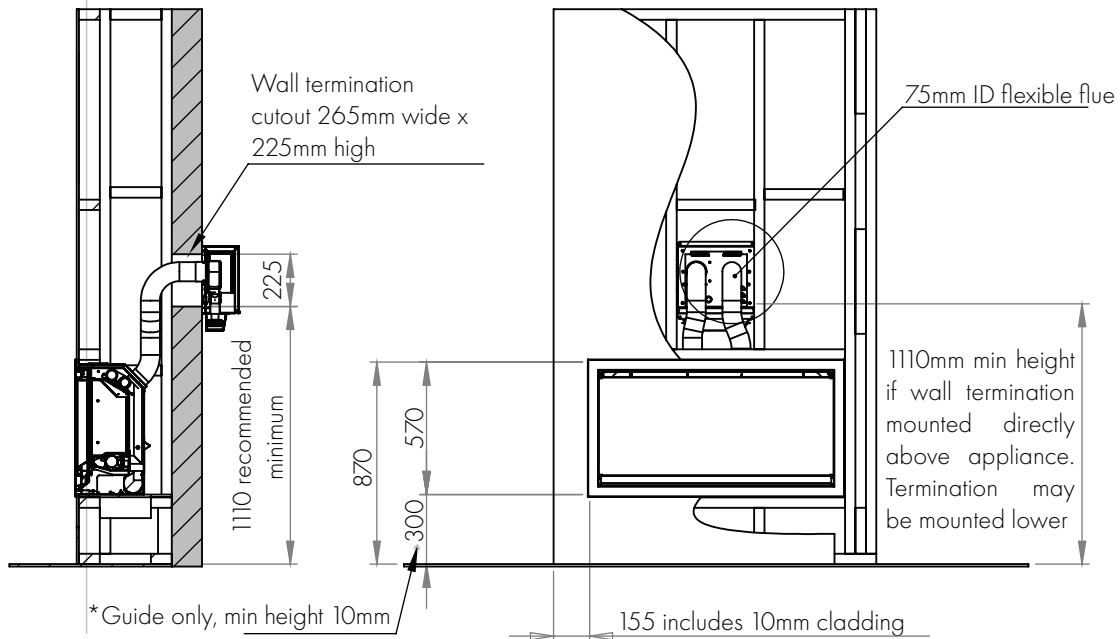
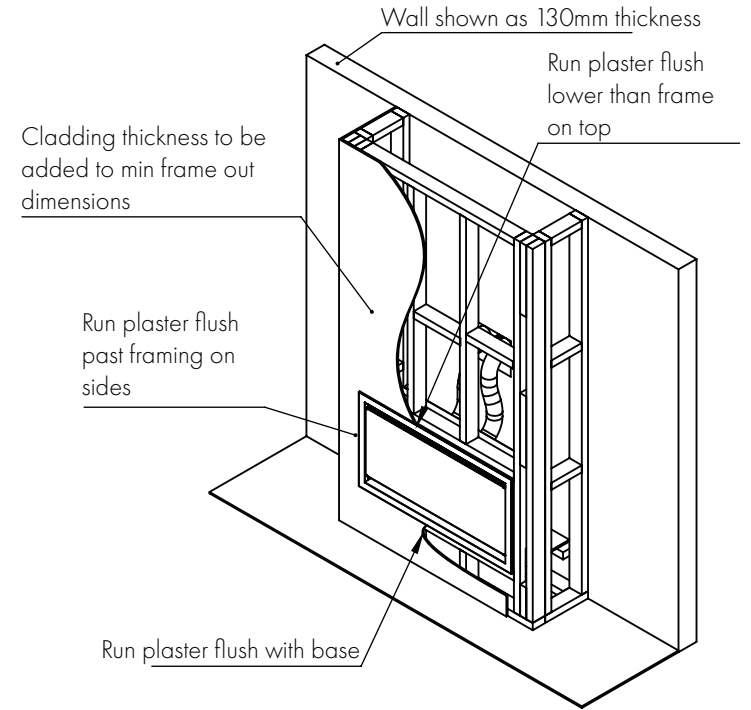
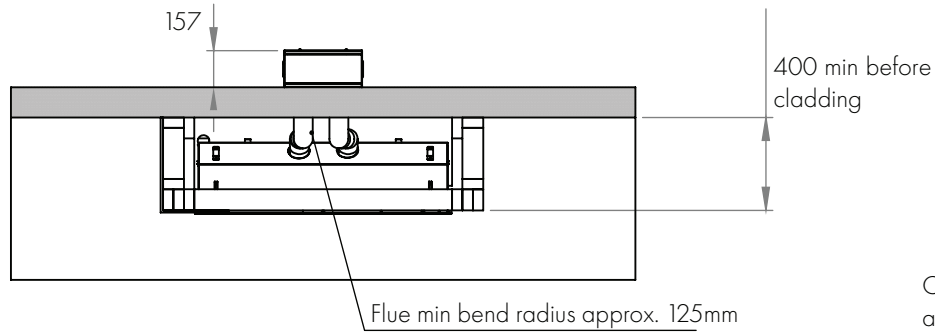
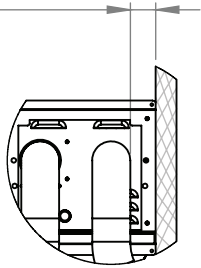
NOTE

Use suitable support base, plywood not necessary.

MINIMUM FRAMING DIMENSIONS

WITH APPLIANCE AND PINE FRAME

25mm min clearance to combustibles (Timber framing) from flue



SPECIFICATIONS

MODEL	700		900		1100	
APPLIANCE TYPE	High Efficiency Gas Fireplace		High Efficiency Gas Fireplace		High Efficiency Gas Fireplace	
STAR RATING	up to 4.1 stars		up to 4.1 stars		up to 4.6 stars	
MAX HEAT OUTPUT	up to 5.1kW		up to 5.4kW		up to 6.9kW	
ROOM SIZE	approx. up to 70m ²		approx. up to 75m ²		approx. up to 100m ²	
GAS TYPE	Natural Gas	LPG	Natural Gas	LPG	Natural Gas	LPG
GAS INPUT	20 High/14 Low	20 High/16 Low	25 High/18.5 Low	25 High/20 Low	29 High/21 Low	29 High/24 Low

MEDIA OPTIONS



DRIFTWOOD



SNOWGUM

WARRANTY

FIREBOX	10 years
COMPONENTS	2 years



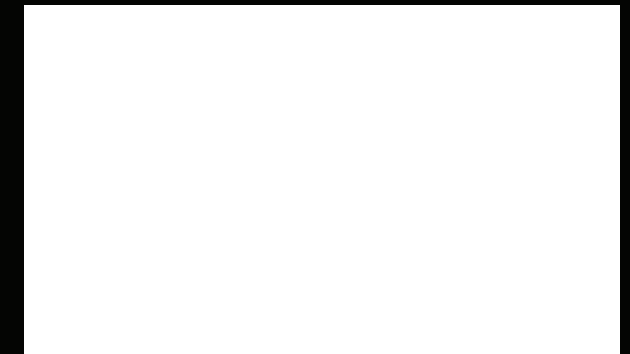
Glen Dimplex Australia Pty Ltd
8 Lakeview Drive,
Scoresby, VIC 3179
T 1300 554 155
E flame.care@glendimplex.com.au



Real Flame is a registered trademark of
Glen Dimplex Australia Pty Ltd, all rights reserved.

RF_INSP-MK2_24

Authorised Real Flame Dealer



realflame.com.au