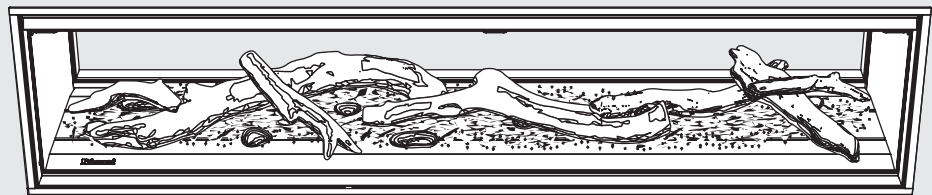
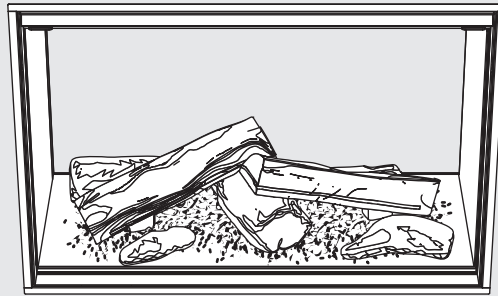


Models:

**Flametech® (RHFE0800F)**

**LS1000 (RHFE1000)**

**LS1500 (RHFE1500)**



# LS Series - Gas Fireplace

## Operation Manual

**Rinnai**

Congratulations on the purchase of your Rinnai LS Series Gas Fireplace. We trust you will have many years of comfort and enjoyment from your appliance.



**BEFORE USING THIS APPLIANCE**

Before proceeding with the operation or installation read this manual thoroughly and gain a full understanding of the appliance, to ensure safe and correct use.

This appliance must be installed in accordance with:

- Manufacturer’s Installation Instructions
- Current AS/NZS 3000, AS/NZS 3500 & AS/NZS 5601
- Local Regulations and Municipal Building Codes including local OH&S requirements

This appliance must be installed, maintained and removed **ONLY** by an Authorised Person.

For continued safety of this appliance it must be installed and maintained in accordance with the manufacturer’s instructions.



The Australian Gas Association  
All Rinnai gas products are A.G.A. certified.

**This manual to suit LS - Series Heater Models:**

Flametech® *	LS1000	LS1500
RHFE0800SF *	RHFE1000S	RHFE1500S
RHFE0800DF *	RHFE1000D	RHFE1500D

*\*Incorporates Flametech® self burning log technology.*

# OPERATION TABLE OF CONTENTS

<b>Warnings &amp; Important Information</b>	<b>4</b>
Before Using This Appliance .....	4
Regulatory Information .....	4
Notice to Victorian Consumers .....	4
Dress Guard Warnings .....	4
Mandatory Inspection prior to Installation .....	4
Modifications .....	5
General Safety Warnings .....	5
Operational Safety Warnings .....	6
Safety Devices .....	7
<b>About Your Heater</b>	<b>8</b>
General Overview .....	8
<b>Control Panel Operation</b>	<b>9</b>
To Turn ON Your Heater .....	9
To Turn OFF Your Heater .....	9
Interruption to Electricity or Gas Supply During Operation .....	9
Restart Procedure After Interruption to Electricity Supply .....	9
Full Control and Partial Control .....	9
<b>Remote Control Operation</b>	<b>10</b>
Remote Control Activation .....	10
Button Functions, Display & Operation .....	10
Lost, Misplaced Or Broken Remote Control .....	10
Battery Safety .....	11
Changing the Batteries .....	11
<b>Wi-Fi / App Operation</b>	<b>12</b>
Wi-Fi App Features .....	12
Resetting Wi-Fi Module .....	12
<b>Care &amp; Maintenance</b>	<b>13</b>
Error Codes .....	13
Normal Operational Characteristics .....	13
Trouble Shooting Checklist .....	14
Service .....	14
Abnormal Flame Pattern .....	15
Cleaning .....	15
<b>Installation Checklist</b>	<b>16</b>
<b>Installation Record</b>	<b>17</b>
<b>Contacts</b>	<b>20</b>

# WARNINGS & IMPORTANT INFORMATION



## BEFORE USING THIS APPLIANCE

Before proceeding with the operation or installation read this manual thoroughly and gain a full understanding of the appliance, to ensure safe and correct use.

Failure to carefully read and follow all instructions in this manual can result in equipment malfunction, property damage, personal injury and/or death.

**DANGER:** Indicates an imminently hazardous situation which, if not avoided, will result in personal injury or death.

**WARNINGS:** Indicates a potentially hazardous situation which, if not avoided, could result in personal injury or death.

**CAUTIONS:** Indicates a potentially hazardous situation which, if not avoided, could result in minor or moderate injury or damage to the appliance. It may also be used to alert against unsafe practices.



## REGULATORY INFORMATION

This appliance shall be installed in accordance with:

Manufacturer's Installation Instructions.

Current AS/NZS 3000, AS/NZS 3500 & AS/NZS 5601.

Local Regulations and Municipal Building Codes including local OH&S requirements.

This appliance has been certified by the Australian Gas Association. The A.G.A. Certification Number is shown on the data plate.

This appliance **MUST** be installed, maintained and removed **ONLY** by an Authorised Person.

For continued safety of this appliance it **MUST** be installed and maintained in accordance with the manufacturers instructions.

## NOTICE TO VICTORIAN CONSUMERS

This appliance **MUST** be installed by a person licensed with the Victorian Building Authority. **ONLY** a licensed person will have insurance protecting their workmanship.

So make sure you use a licensed person to install this appliance and ask for your Compliance Certificate. For further information contact the Victorian Building Authority on 1300 815 127.



## DRESS GUARD WARNINGS

The guard is fitted to this appliance to reduce the risk of fire or injury from burns and no part of it should be permanently removed. For protection of young children or the infirm, a secondary guard is required.

The wire mesh dress guard supplied with this appliance **MUST NOT** be permanently removed as it fulfils an operational safety function. Additional dress guards including free standing types may be used in conjunction with, but **NOT** replace, the dress guard supplied with this appliance.



## MANDATORY INSPECTION PRIOR TO INSTALLATION

Immediately report any damage or discrepancies to the Supplier of the appliance. This appliance was inspected and tested at the time of manufacture and packaging, and released for transportation without known damage. Upon receipt, inspect the exterior for evidence of rough handling in shipment. Ensure that the appliance is labelled correctly for the gas and electrical supply, and/or other services it is intended to be connected to.

For safety and warranty purposes, appliances that may be damaged or incorrect must not be installed or operated under any circumstances. Installation of damaged or incorrect appliances may contravene local government regulations. Rinnai disclaims any liability or responsibility whatsoever in relation to the installation or operation of damaged or incorrect appliances.

Take care when opening or unpacking this appliance. Failure to do so may result in serious injury or product failure.

Check the label for the correct gas type (refer rating plate, inside the appliance). Refer to local gas authority for confirmation of the gas type if you are in doubt.



**MODIFICATIONS.**

**DO NOT MODIFY THIS APPLIANCE.**

Modifying from original specifications may create a dangerous situation and will void your warranty. Failure to comply with these instructions could result in a fire or explosion, which could cause serious injury, death or property damage.

**DO NOT** modify the electrical wiring of this appliance.

If the power cord is damaged or deteriorated then it **MUST** be replaced by an authorised person. Failure to do so may result in electric shock, fire, serious injury or product failure.

Improper installation, adjustments, service or maintenance can cause serious injury, death or property damage. Such work **MUST ONLY** be performed by an authorised person.



**GENERAL SAFETY WARNINGS**

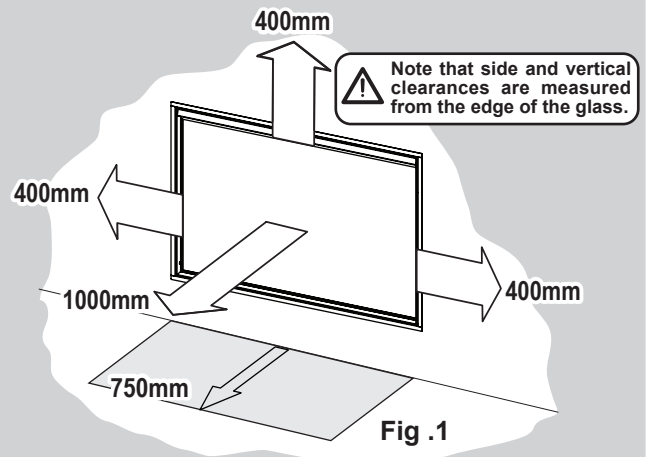
This appliance is **HEAVY**, during installation the use of a mechanical lifting aid is recommended, noting that improper lifting may result in serious injury.

**WARNING:** This heater **MUST NOT** be used if any of the glass panels are damaged.

Flue terminal **MUST** always vent directly to outdoors. **DO NOT** extend the flue vertically or horizontally in ways other than prescribed in this appliance manufacturer’s installation instructions. **ONLY** the flue components specified by Rinnai must be used.

When considering installation ensure minimum clearances as follows are adhered to, refer Fig. 1.

Heat radiating from the front of this heater may over time affect the appearance of some materials used for flooring such as carpet, vinyl, cork or timber. This effect may be amplified if the air in the room contains cooking vapours, candle vapours and cigarette smoke, etc. To avoid this possibility, it is recommended that a mat or similar protective sheet be placed in front of the appliance, extending at least 750 mm in front of the dress guard. Refer to the installation manual for mantle clearances, additional installation information and warnings.



This appliance **MUST NOT** be installed where curtains or other combustible materials could come into contact with it. In some cases curtains may need restraining.

This appliance is **NOT** intended for use by persons (including children) with reduced physical, sensory or mental capabilities or lack of experience and knowledge, unless they have been given supervision or instruction concerning use of the appliance by a person responsible for their safety.

The appliance is **NOT** intended for use by young children or infirm persons without supervision. Young children and the infirm **SHOULD** be supervised at all times when in the vicinity of this heater while it is in operation.

The heater **MUST NOT** be located immediately below a power socket outlet.

A dedicated 230 V earthed 10 Amp power point must be used with this appliance.

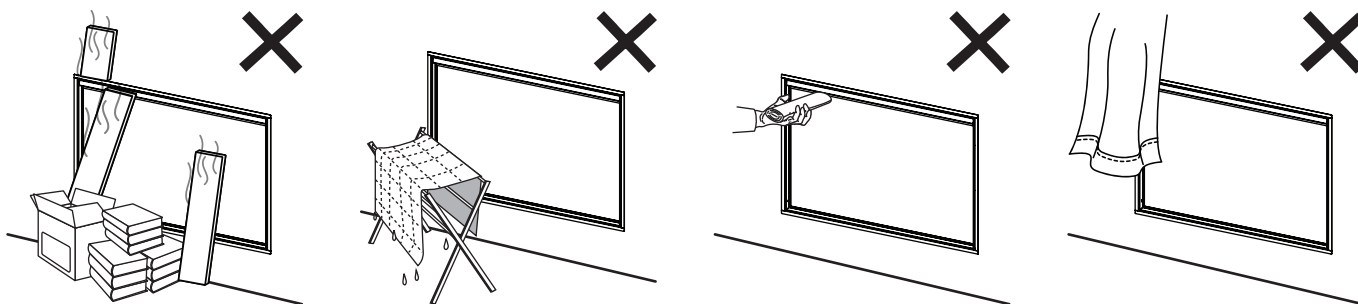
Suitable **ONLY** for indoor installation.

**DO NOT** operate this appliance before leak checking hoses and gas cylinder connection.

**NOT** to be connected to an LP gas cylinder located indoors.

Please keep this instruction booklet in a safe place for future reference. All dimensions referred to in these instructions are in millimetres, unless otherwise specified.

**OPERATIONAL SAFETY WARNINGS**

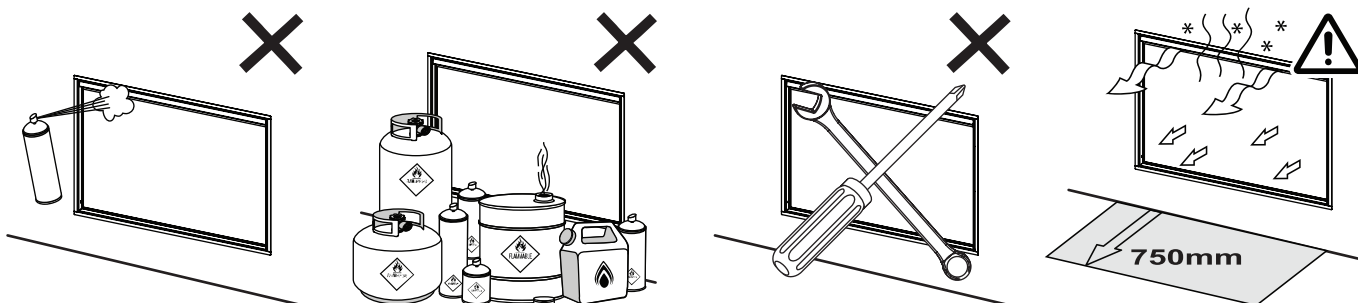


**DO NOT** restrict the warm air discharge or place articles on or against this appliance.

This appliance **MUST NOT** be used for any purpose other than heating.

**DO NOT** allow anyone to post articles through the louvres.

**DO NOT** let flammable and combustible materials (such as curtains, etc.), to come into contact with the heater.



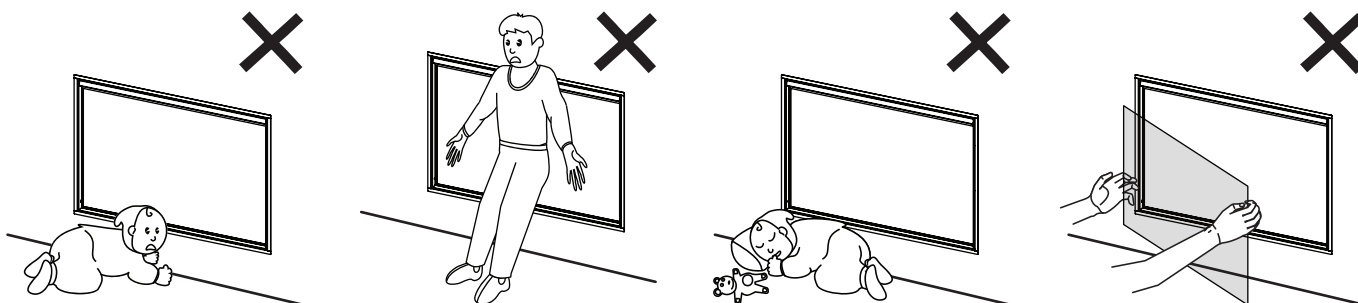
**DO NOT** spray aerosols in the vicinity of this appliance whilst the heater is operating. Most aerosols contain flammable gas, which can be a fire hazard if used near the heater when it is in use.

**DO NOT** store flammable materials near this appliance.

**DO NOT** modify this appliance.

Heat emanating from the front of the appliance may over time affect the appearance of some materials used for flooring such as carpet, vinyl, cork or timber. This affect may be amplified if the air in the room contains cooking vapours or cigarette smoke. To avoid this possibility, it is recommended that a mat be placed in front of the appliance, extending at least 750 mm in front of the heater.

When the heater is operated for the first time or after long periods of non use a slight odour may be emitted, this is normal. However if odours persist switch 'OFF' the appliance and contact Rinnai.

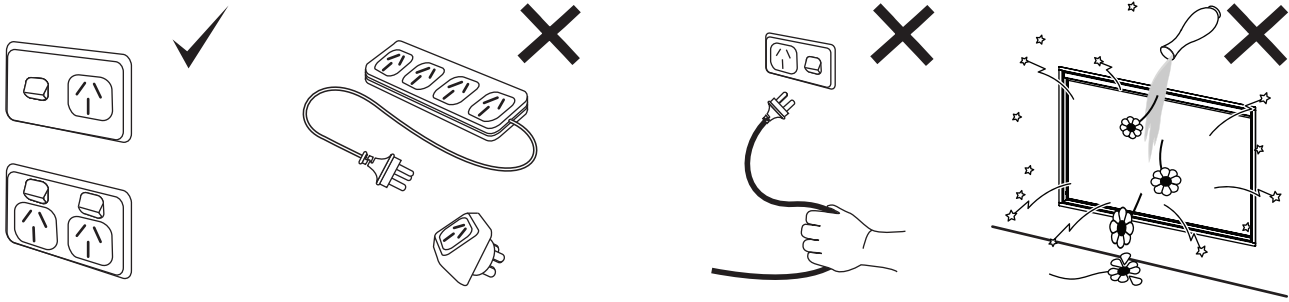


Young children should be supervised at all times. Hand or body contact with the warm air discharge louvres and glass must be avoided.

**DO NOT** allow anyone to sit on or lean against the appliance.

**DO NOT** allow young children or the infirm to sleep directly in front of the heater while in operation.

**DO NOT** remove the Glass Dress Guard. The dress guard is fitted to this appliance to reduce the risk of fire or injury from burns and no part of it should be permanently removed. For protection of children or the infirm, a secondary guard is recommended.



A dedicated 230V earthed 10 Amp power point **MUST BE USED** with this appliance.

**DO NOT** use power boards or double adaptors to operate this appliance. The heater **MUST NOT** be located below a power socket-outlet.

**DO NOT** unplug the heater while it is in operation or while the fan is still cycling.

**DO NOT** place containers of liquid above the heater. Water spillage can cause extensive damage to the appliance and create an electrocution hazard.

**DO NOT** place articles on or against this appliance.

**DO NOT** connect to an LPG gas cylinder indoors.

Turn the heater 'OFF' after use.

**SAFETY DEVICES**

**Initial start-up**

This heater has a one-time start up cycle. Should there be a fault in the heater no more than 5 manual restarts should be attempted. If the heater still fails to operate a service call will be required. Refer to the "CARE AND MAINTENANCE" pages; 13 through 15 for further information.

**Over Heat Thermistor**

Should the heater get too hot during operation, (for example when the air outlet louvres are blocked), this device will automatically turn the gas off and allow the heater to be manually restarted, (automatic re-start will not occur). Refer to the "CARE AND MAINTENANCE" pages; 13 through 15 for further information.

**Over heat Thermal Fuse**

In the unlikely event of the Over Heat Thermistor failing or some other fault occurring the Over Heat Thermal fuse will operate completely shutting the appliance down. This device is a 'one hit' only function, a service call will be required to reinstate operational ability to your heater. Refer to the "CARE AND MAINTENANCE" pages; 13 through 15 for further information.

**Power Failure**

Refer to page 10. In the event of power failure or power disruption your heater will shut down completely, manual restarting will be required. Refer to the "CARE AND MAINTENANCE" pages; 13 through 15 for further information.

**Electric fuse**

The electrical circuits are protected by a fuse. Refer to the "CARE AND MAINTENANCE" pages; 13 through 15 for further information.

**Flame Failure Sensing System**

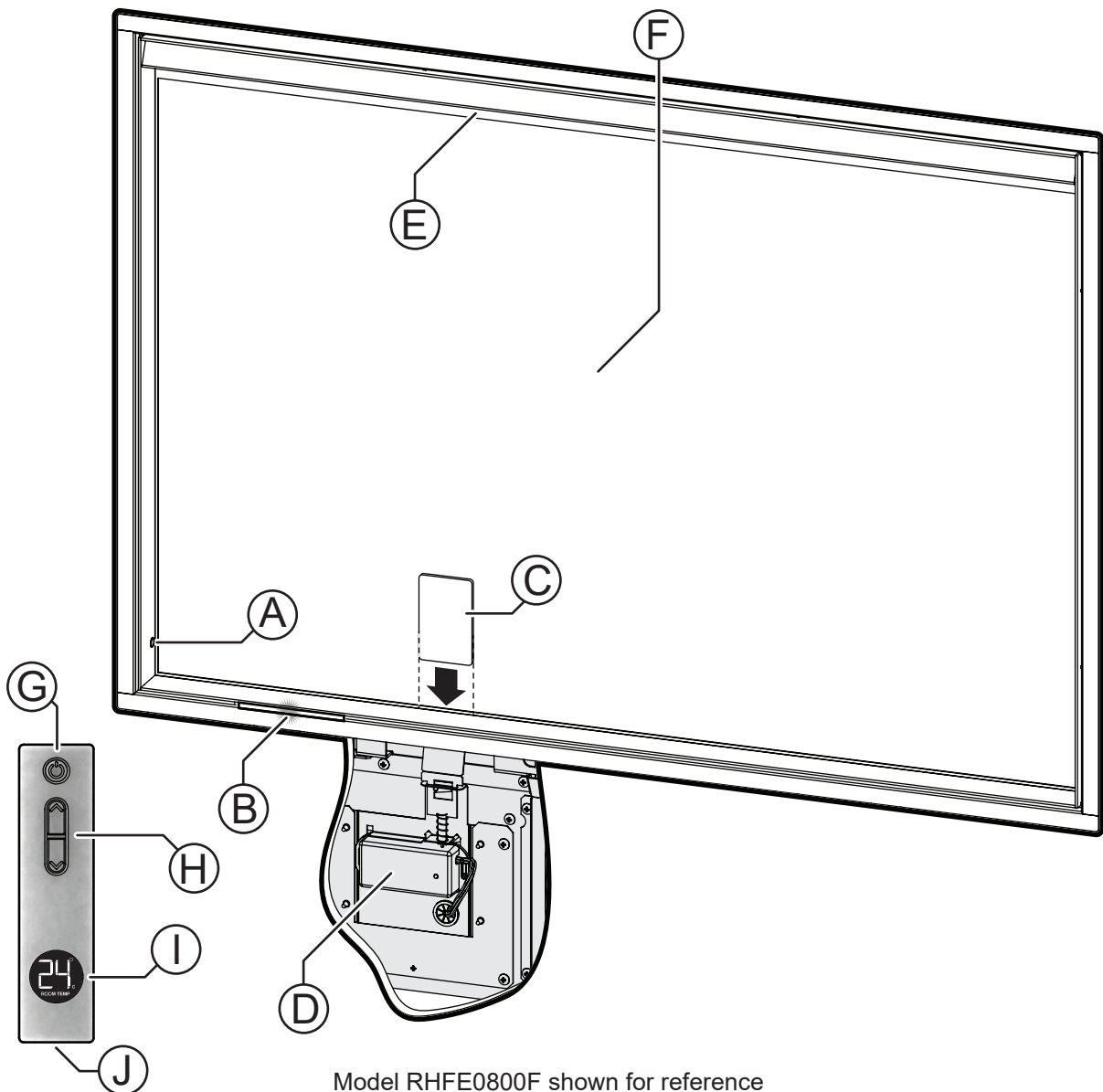
These devices within the appliance automatically cut off the gas supply to the burners in the event of a flame failure. Refer to the "CARE AND MAINTENANCE" pages; 13 through 15 for further information.

**Pressure Relief**

The burner box glass panel is secured to the burner box via spring loaded pressure relief fasteners.

# ABOUT YOUR HEATER

## GENERAL OVERVIEW



Model RHFE0800F shown for reference

- (A) Standby / ON button:** Controls appliance operation between Standby and ON modes.
- (B) Remote (IR) receiver window:** (Green Indicator) Flashes during the pilot ignition and glows solid when pilot is established, going out once heating operation commences. Flashes to acknowledge remote control inputs.
- (C) Wi-Fi reset switch:** Resets the Wi-Fi module, see "Wi-Fi / App Operation" on page 12.
- (D) Wi-Fi receiver module:** See "Wi-Fi / App Operation" on page 12.
- (E) Warm air discharge:** On double sided models, these features are duplicated on both the front and the back of the appliance.
- (F) Burner box window / Dress guard:** On double sided models, these features are duplicated on both the front and the back of the appliance.
- (G) Standby / ON button:** See "Remote Control Operation" on page 10.
- (H) Flame Up / Down buttons:** See "Remote Control Operation" on page 10.
- (I) Room temperature display:** Displays the current temperature of the room in which the control is located. See "Remote Control Operation" on page 10.
- (J) Room temperature sensor** Senses the temperature of the room in which the control is located.



# CONTROL PANEL OPERATION

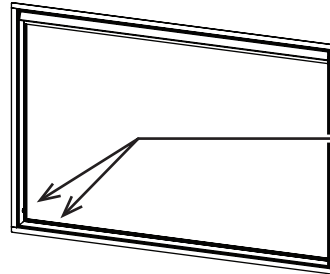
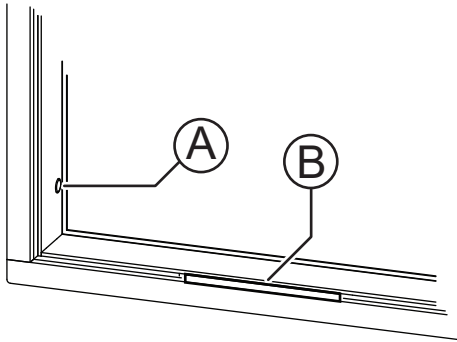
## TO TURN ON YOUR HEATER



**BEFORE PROCEEDING ENSURE THE GAS AND ELECTRICITY ARE TURNED ON.**

You **MUST** read and understand these instructions fully before operating the heater.

Locate the Standby / ON button (A). This button is located on lower left inside edge of the appliances burner box frame, IR receiver window (B) is also located near by.



Control & indicator locations  
(Note that unlike other design features, the controls and indicators are **ONLY** located on the one side of double sided models).

Model RHFE0800F shown for reference

1. Press the Standby / ON button (A) once. The combustion fan will start several seconds before the fire ignites, to purge the sealed combustion chamber before the gas flows.
2. The green indicator located in the IR receiver window (B) will flash to indicate that the pilot flame is lighting. You may also be able to hear the ignition sparking.
3. When the green indicator located in the IR receiver window (B) glows steady the pilot flame has been established.
4. The main burner then ignites off the pilot flame and is automatically pre-set to Stage 5 - High Flame. The green indicator located in the IR receiver window (B) will go out.



### FLAME HEIGHT AND FAN SPEED

When operating the appliance via the Standby / ON button **ONLY**, no additional control of the flame or heat output is possible. The relationship between flame height and fan speed is factory pre-set and cannot be adjusted. The heater will automatically modulate between flame settings to maintain the default set temperature of 22°C.

To adjust flame or heat output, refer to "Remote Control Operation" on page 10 or to the Wi-Fi user guide for these and other operational control options.

## TO TURN OFF YOUR HEATER

To turn the heater 'OFF' press the Standby / ON button (A) once, when the heater is in the off state the Red Power Indicator will be extinguished.

## INTERRUPTION TO ELECTRICITY OR GAS SUPPLY DURING OPERATION

Interruption to the power or gas supply will turn your heater OFF, upon resumption of the services the appliance will need to be restarted. This is a safety feature designed to ensure that un-attended starts do not occur after power or gas interruptions.

## RESTART PROCEDURE AFTER INTERRUPTION TO ELECTRICITY SUPPLY

To restart your heater once power has been restored follow the steps for "To Turn ON Your Heater" as above.

## FULL CONTROL AND PARTIAL CONTROL

Full operational control of the heater is only possible by use of the Wi-Fi App or to a lesser extent via the remote control. In the event that either method of remote operation is not available, this appliance may still be operated in a limited capacity by using the power Standby / ON button (A) as described in the note above.

# REMOTE CONTROL OPERATION

## REMOTE CONTROL ACTIVATION

The remote is supplied with two Lithium cell CR2450 button batteries already pre-inserted.

To activate pull the clear tab (K), noting that **OK** will briefly be shown on the digital display (I), to confirm that the activation was successful. Noting that this also occurs when ever a fresh set of batteries is installed.



**Remove the batteries if the remote is not going to be used for a long time. This will help avoid damage from leaking batteries. If leakage has occurred the remote will need to be replaced as leaking chemicals could be a risk if touched or ingested.**

When the controller buttons are pressed the green indicator located in the IR receiver window (B) will flash and 'Beeps' will be emitted to confirm that control inputs are being received, this indicates your remote control is now working.

## BUTTON FUNCTIONS, DISPLAY & OPERATION



**For the remote control to be able to function, the appliance Standby / ON button (A) must be in the "ON" condition. Using the remote control to turn OFF the heater will place the heater into STANDBY mode.**

The Standby / ON button (C) switches the heater between the Standby and ON modes.

The UP / DOWN buttons (H) control the height of the flame and heat output in five adjustment levels in fixed combination with two fan speeds.

The relationship between flame levels and fan speeds is factory pre-set and therefore cannot be adjusted, and are as follows:

Flame Level	1	2	3	4	5
Fan Speed	Low	Low	High	High	High



**On initial start-up the appliance default flame height setting is 5 - High. The flame height may only be adjusted after at least 30 seconds of operation.**

The remote control temperature sensor (J) (located on the base of the controller) reads the temperature of where the remote control is currently located.

The remote controls digital display (I) shows the temperature (in degrees Celsius) of the room that the remote control is located in. It has a motion activated back light which will remain illuminated for approximately 5 seconds after a movement is sensed or when a button is pressed. Frequent illumination of the back light greatly reduces the remote control's operational battery life. To increase battery life, ensure that unnecessary illumination of the display is avoided.

## LOST, MISPLACED OR BROKEN REMOTE CONTROL



**Breakage of the plastic housing could expose sharp edges, replace the remote if this occurs.**

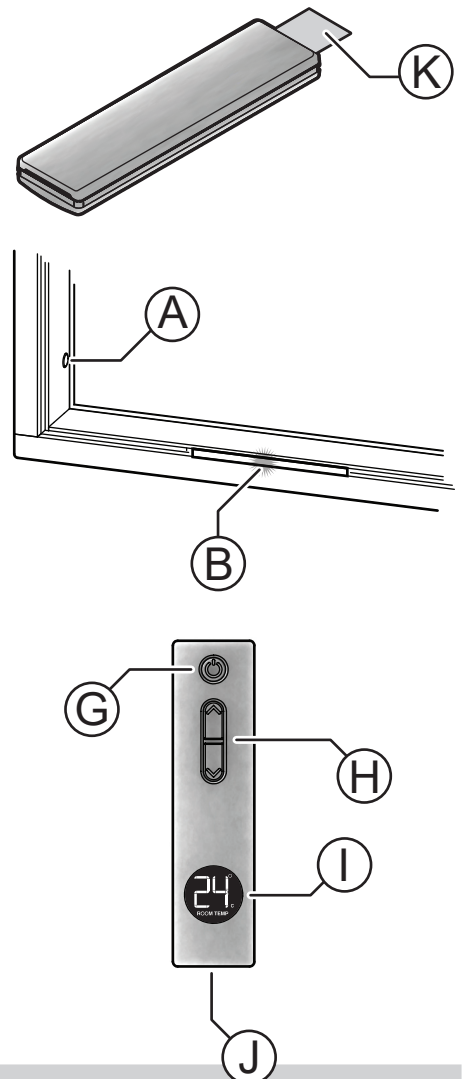
**Avoid getting the remote wet as water entry will damage the remote.**

In the event of a lost, misplaced or broken remote control, full operational control of the heater is still possible by use of the Wi-Fi App.



**In the event that both the remote control and network based operation are not available, this appliance may then still be operated in a limited capacity by using the heater's control panel.**

**Refer to "Control Panel Operation" on page 9 for details on how to use the appliance in this mode and the limitations of this form of operation.**



**BATTERY SAFETY**



**WARNING KEEP BATTERIES OUT OF REACH OF CHILDREN.**

- Swallowing may lead to serious injury in as little as 2 hours or death, due to chemical burns and potential perforation of the oesophagus.
- If you suspect your child has swallowed or inserted a button battery immediately call the 24-hour Poisons Information Centre on **13 11 26** for fast, expert advice.
- Examine devices and make sure the battery compartment is correctly secured, e.g. that the screws or other mechanical fasteners are tight. **DO NOT** use if compartment is not secure.



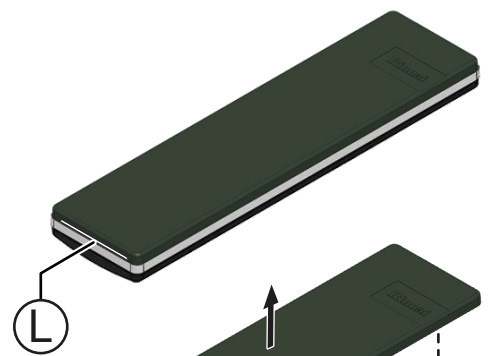
- Dispose of used button batteries immediately and safely. Flat batteries can still be dangerous and may be a choking hazard.
- Inform others about the risk associated with button batteries and how to keep their children safe.
- Remove the batteries if the remote is not going to be use for prolonged periods. This will help prevent damage from leaking batteries. If leakage has occurred and corrosion is evident the remote will need to be replaced.
- Leaking chemicals are toxic and **MUST NOT** be touched or ingested.
- **NEVER** mix old and new batteries.
- **DO NOT** immerse the remote control in any liquid, this will damage the remote control, rendering it inoperable and voiding its warranty.

**CHANGING THE BATTERIES**



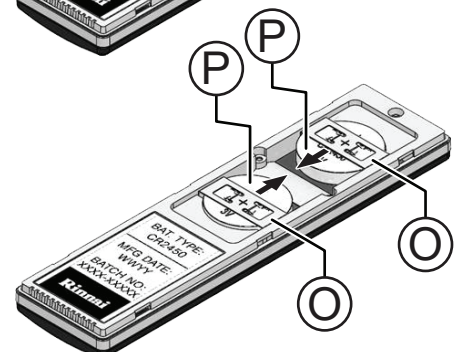
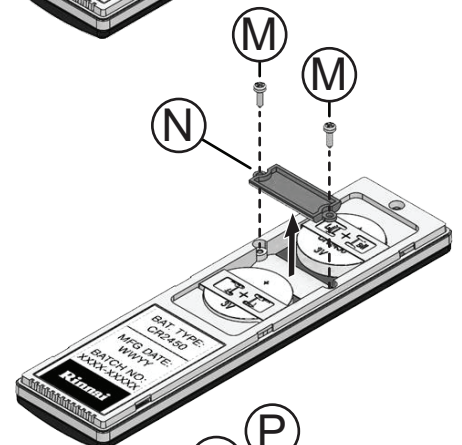
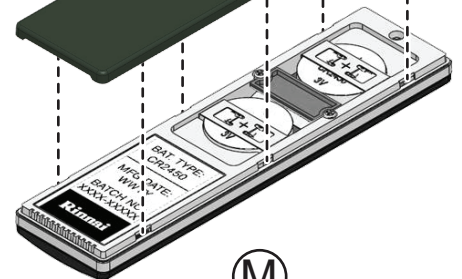
When the low power symbol (left) appears at the top of the room temperature display ① the batteries are near to being fully discharged and may no longer able to power the remote control properly. Replacement of batteries is now a priority.

1. Using a suitable lever carefully remove the back cover, do this by first prying the cover off using the notch at the temperature sensor ② end as a starting point, and continuing until the cover pops off.



When removing the remote control cover some patience may be required as the cover is designed to be not easily removed, this is to prevent easy access to the batteries, especially by young children.

2. Once the cover is off remove the two screws ③ that secure the plastic retaining bridge ④, using a small (No.0) Phillips head screw driver or equivalent and then remove the plastic retaining bridge ④.
3. Remove the old button batteries ⑤ by carefully sliding them one at a time out from under the metal battery retainers ⑥, and into the space that was created when the plastic retaining bridge ④ was removed in the previous step.
4. Insert two new button batteries (CR2450) ⑤, under the metal battery retainers ⑥ ensuring that the positive “+” terminals (the side with the writing and the positive symbol) are facing upwards.
5. Re-fit the plastic retaining bridge ④ securing it back in place with the two screws ③.
6. With the batteries secured re-attach the rear cover by carefully clipping it back into place, noting that the end with the notch in it is at the bottom.



Noting that **OH** (OK) will briefly be shown on the digital display to confirm that the batteries have been successfully replaced.



Remember to dispose of used button batteries immediately and safely.

# Wi-Fi / APP OPERATION

For the Wi-Fi / App to work on your fireplace, you will need to have first downloaded the app from the Apple App Store or Google Play. The phone will need to be paired to the appliance and to your home Wi-Fi connection.

## Wi-Fi APP FEATURES

The Rinnai Fireplace App will quickly and easily enable you to perform a number of different functions via your mobile device, such as:

- **Thermostatic Control** - Set a comfortable temperature and let the heater do the rest.
- **Flame Control** - Overrides thermostatic function and allows for full flame picture regardless of room temperature.
- **Multiple Timer Based Operation** - Multiple timers can be set to operate the heater each day of the week.
- **Screen Tips & Guides** - The app supports a extensive inbuilt app user guide and screen tips function.

For more information about how to use the Rinnai Wi-Fi App, refer to the 'Wi-Fi control user guide' available on the Rinnai website, [www.rinnai.com.au](http://www.rinnai.com.au), enter "Wi-Fi user guide" into the search field.

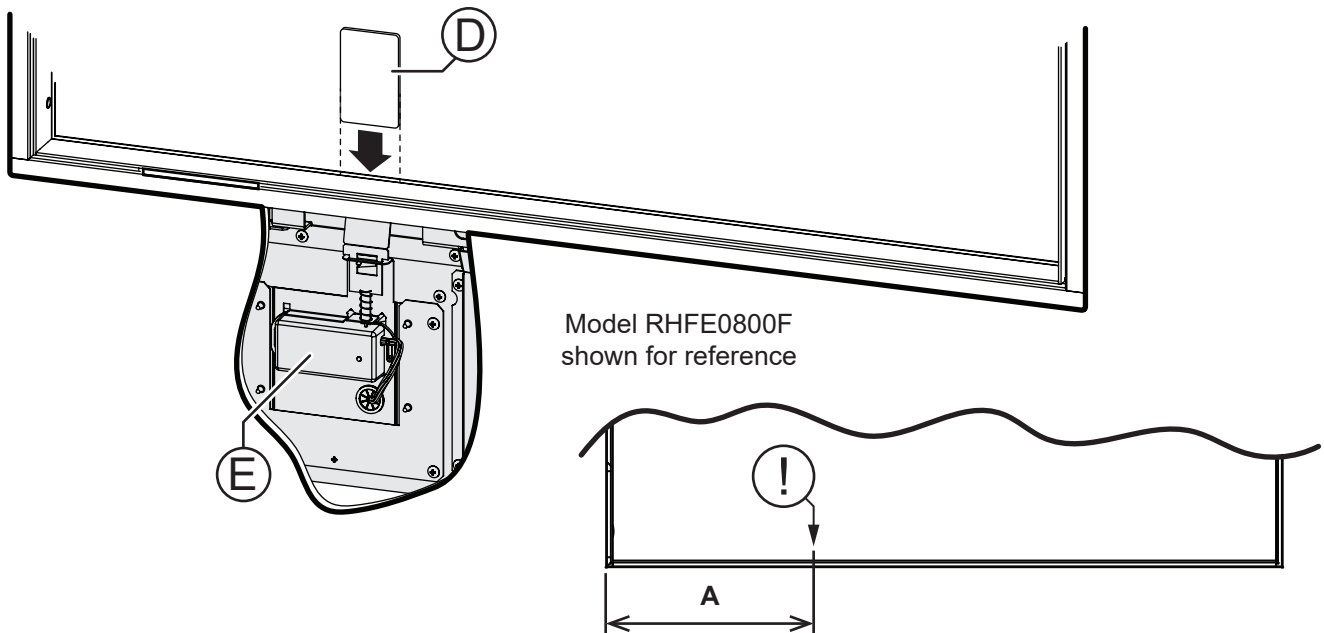


**At present the current version of the app does not support a remote functionality. As such you will need to be in the home and connected to your home Wi-Fi router to use the app.**

## RESETTING Wi-Fi MODULE

If there is a problem with the Wi-Fi connectivity, there may be a requirement for you to reset the Wi-Fi module (E) of the appliance. With the appliance in operation do the following:

1. Take a thin non-metallic card (similar to the size and thickness of a credit card).
2. Use the diagram and table below locate the narrow gap in the heaters lower frame (D).



Heater Model	Flametech® (RHFE0800F)	LS1000 (RHFE1000)	LS1500 (RHFE1500)
Location of reset point. (A)	265mm	350mm	650mm

3. Using your card, gently press down to reset the Wi-Fi module.
4. Restart your app and follow the app instructions.



**In the event that both the remote control and network based operation are not available, this appliance may then still be operated in a limited capacity by using the heater's control panel.**

**Refer to "Control Panel Operation" on page 9 for details on how to use the appliance in this mode and the limitations of this form of operation.**

# CARE & MAINTENANCE

## ERROR CODES

The LS series heaters have self diagnostic electronics that monitor the appliance during start up and operation.

Should a fault occur the heater will shut down. The fault that has caused a shut down will be indicated with an error code, via the Wi-Fi app on your smart device.

Code	Possible Cause	Suggested Solution
00	Mains power failure	Reset the heater, press the Standby / ON button on the control panel, remote control, or app twice, to turn the fire back on.
11	Ignition failure	Check that the gas supply is turned on. Turn the heater OFF then ON again. If the problem continues a service call is required.
12	Incomplete combustion	As above.
14	Overheat safety device	Filter may be blocked - service call.
15	Room overheat	Lower room temperature to below 40 °C.
31	Room temperature sensor faulty	Service call.
32	Overheat temp. 1 sensor faulty	Service call.
33	Overheat temp. 2 sensor faulty	Service call.
53	Spark sensor faulty	Service call.
61	Combustion fan motor faulty	Service call.
71	Solenoids faulty	Service call.
72	Flame detection circuit fault	Service call.
73	Communication error	Service call.
90	Comm's error between main PCB and Wi-Fi module	Reset Wi-Fi module see "Resetting Wi-Fi Module" on page 12.
91	Comm's error between Smart device and Wi-Fi module	Check your Wi-Fi and Rinnai Wi-Fi module are within range. Check network settings.

The appliance is fitted with an overheat safety switch which will shut off the appliance. If the appliance shuts off repeatedly servicing or inspection of the flue for may be required, contact Rinnai for advice.

## NORMAL OPERATIONAL CHARACTERISTICS

During the initial burning in period some fumes and smell may be experienced. This condition may last for a couple of hours, however this is a normal part of the burning in process.

When using the heater for the first time, or after a long period of non use the ignition may not occur the first time it is operated due to air in the gas pipes. If ignition does not occur the unit will switch off automatically. Try operating the heater again if this occurs, if this continues however then contact Rinnai for advice.

The heater may make noises after ignition or switching off. This is due to the expansion and contraction of the internal components and is normal.

As a safety precaution the heater will not ignite if the Standby / ON button is pressed straight after the heater has been turned off. It will take approximately 20 seconds for the unit to reset and switch back on again.

**TROUBLE SHOOTING CHECKLIST**

Check the following information to help determine whether a service call is required, however if you are unsure about the way your heater is operating, or if you have any other faults or problems, please refer to your supplier, installer or a Rinnai Customer Care Centre Consultant. See back page for Rinnai contact details.

Probable Cause	Fault Condition								Simplest Possible Remedy	
	Burners fail to ignite	Smell of gas	Fan Not Working	Minor soot deposits	Severe sooting	Glass, Condensating	Glass, Streaky lines	*Remote not working		*Wi-Fi not working
Not plugged in or turned off	●		●					●	●	Plug in power cord and turn power 'ON'.
Mains power failure	●		●							Re-start, once the power has been restored.
(Initial Install) Air in gas pipe	●									Installer to purge air from gas supply.
Air in hose	●									Repeat Ignition procedure.
Ignition failure	●									Repeat Ignition procedure.
Flat battery for remote control *		●						●		Replace remote control battery.
Gas supply turned off	●									Turn gas supply on at the meter or cylinder.
Gas escape					●					Isolate gas supply, call Rinnai.
Blocked / restricted flue system	●				●					Call Rinnai.
Insufficient gas pressure	●				●					Call Rinnai.
Log Misalignment			●							Call Rinnai.
Normal operation				●		●	●			No action is required.
Normal operation			●							Fan not working - fan automatically comes on after 4 minutes i.e. once heat switch is activated.
Normal operation		●								Allow heater to warm up.
Heat switch not activated			●							Allow heater to run on high for 4 minutes.
Possible fan fault			●		●					Call Rinnai.
Controller display blank	●				●					Replace batteries.
Remote / Wi-Fi Comm's Error								●		Refer to page 12 for solution.

\* Only applicable when remote control is used.

**SERVICE**

This appliance does not contain user serviceable parts and **MUST ONLY** be serviced and repaired by an authorised person. If the power supply cord or any other component of the heater are damaged, they **MUST BE** replaced by Rinnai or a suitably qualified person.

Rinnai has a Service and Spare Parts network with personnel who are fully trained and equipped to give the best service on your Rinnai appliance.

Rinnai recommends that this appliance be serviced every 2 years. If your appliance requires service, please call our National Help Line (our -contact numbers are on the back cover of this manual).



Service calls for general cleaning, maintenance and wear and tear are not necessarily covered under the warranty. Service calls of this nature may be chargeable.

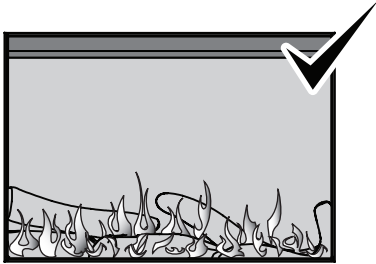
Faults caused by insufficient gas supply, gas quality, installation errors or operation errors are not covered by the Rinnai warranty. Refer to separate Warranty Manual for details.

## ABNORMAL FLAME PATTERN

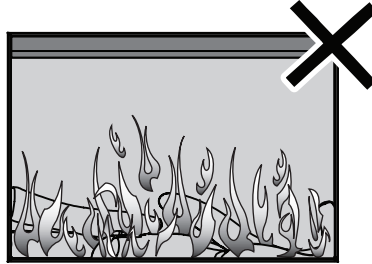
Each Rinnai Gas Fireplace heater has a distinct flame pattern. The flame should look the same every time you operate your heater, after an initial warm up period of approximately 15 minutes.

Abnormal flame performance and/or pattern can indicate a problem with your heater, such as blocked gas injectors, incorrectly installed / inadequate flue system or the artificial logs/burn media may have shifted from when the heater was first installed.

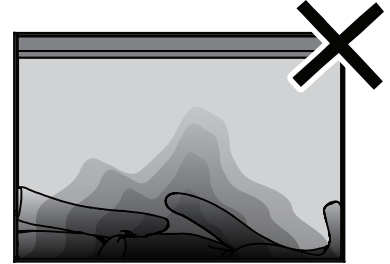
There are some warning signs that could indicate a problem. If any of the signs below occur, please contact Rinnai.



**NORMAL FLAME PATTERN**



**ABNORMAL FLAME PATTERN**



**SOOT BUILD UP**

### Key signs of abnormal flame performance:

- Appliance turns 'OFF' soon after start up and does not relight.
- Continued difficulty or delay in establishing a flame
- Flame appears overly orange-yellow.
- Flame appears either very short or very long.
- Flame only burns part way across the burner.
- Severe soot building up on the inside of the glass or on logs.
- Continuous unusual smell from the appliance.
- Continued difficulty or delay in establishing a flame.
- Severe soot building up on the inside of the glass<sup>1</sup>.



**NOTE** Be advised that appliances incorporating a live fuel effect, and designed to operate with luminous flames, may exhibit slight carbon deposition. This is normal operation.

## CLEANING

Your heater needs very little maintenance, but the following information will help you to keep it looking good and working efficiently.



**DO NOT** attempt to clean the heater while the appliance is hot or operating.

All parts of the heater can be cleaned using a soft, damp cloth.

**DO NOT** use solvents or abrasives to clean any parts.

**DO NOT** spray aerosols in the vicinity of the heater whilst in operation.

**DO NOT** place articles on or against this heater.

**DO NOT** store flammable materials near this heater.

**DO NOT** remove any panels or attempt to carry out any service work other than that which is mentioned in the Trouble Shooting Checklist "Trouble Shooting Checklist" on page 14.

# INSTALLATION CHECKLIST



It is the responsibility of the installer to complete both the "Installation Checklist" below and the "Installation Record" on the next page at the completion of installation.



Instruct customer on the heater operation and ensure the customer understands the content of the operation manual.

Advise the customer that during the initial burning period of approximately 2 hours, some smoke and odour may be experienced.

During this period the heater should be operated on 'High' and the space being heated should be well ventilated. It may take up to 20 minutes of operation for the logs to achieve their full flame pattern and glow.

Complete the "Installation Record" on page 17.



**THE GUARD IS FITTED TO THIS APPLIANCE TO REDUCE THE RISK OF FIRE OR INJURY FROM BURNS AND NO PART OF IT SHOULD BE PERMANENTLY REMOVED.**

**FOR PROTECTION OF YOUNG CHILDREN OR THE INFIRM, A SECONDARY GUARD IS REQUIRED.**

The guard supplied with this appliance **MUST NOT** be permanently removed as it fulfils an operational safety function. Additional dress guards including free standing types may be used in conjunction with, but **NOT** replace, the dress guard supplied with this appliance.

The appliance is not intended for use by young children or infirm persons without supervision. Young children and the infirm **SHOULD** be supervised at all times when in the vicinity of this heater while it is in operation.

Ensure the Customer understands that:

- No part of this appliance should be permanently removed.
- Young children and the infirm should be supervised at all times.
- Paper or other material **MUST NOT** be burnt in this appliance.



The following checklist is to be completed **ONLY** by a Certified Gas Installer.

	<b>No</b>	<b>Yes</b>
1. Is the appliance positioned in a suitable location (clearances, combustible clearances, mantels and surrounds etc.)?	<input type="checkbox"/>	<input type="checkbox"/>
2. Was a Rinnai approved flue system installed and tested in accordance with the instructions?	<input type="checkbox"/>	<input type="checkbox"/>
3. Has the gas pressure been checked and set?	<input type="checkbox"/>	<input type="checkbox"/>
4. Has the log set / burn media been installed as per instructions?	<input type="checkbox"/>	<input type="checkbox"/>
5. Was the appliance tested for correct operation and to ensure no gas leaks?	<input type="checkbox"/>	<input type="checkbox"/>
6. Has combustion product spillage testing been conducted in accordance with AS/NZS5601?	<input type="checkbox"/>	<input type="checkbox"/>
7. Has the customer been instructed on operating procedure and safety requirements?	<input type="checkbox"/>	<input type="checkbox"/>
8. Is the end-user fully aware of operating procedure?	<input type="checkbox"/>	<input type="checkbox"/>
9. Has the Glass Dress Guard been fitted?	<input type="checkbox"/>	<input type="checkbox"/>
10. Has the customer been advised not to remove the dress-guard?	<input type="checkbox"/>	<input type="checkbox"/>
11. Has the customer been advised to service the heater every two years?	<input type="checkbox"/>	<input type="checkbox"/>



# INSTALLATION RECORD



This appliance **MUST** be installed, maintained and removed **ONLY** by an Authorised Person.  
For continued safety of this appliance it **MUST** be installed and maintained in accordance with the manufacturers instructions.

The Installation Record is a reference for the end user, help line staff and service technicians. Ensuring that this information is available here will be helpful in the event that a service enquiry is required.

## Installation Details

Installation Company Name: \_\_\_\_\_

Address: \_\_\_\_\_

\_\_\_\_\_

Telephone / Mobile Phone: \_\_\_\_\_ / \_\_\_\_\_

Email: \_\_\_\_\_

Certificate of Compliance / Certification No.: \_\_\_\_\_

Authorised Persons - Licence No.: \_\_\_\_\_

Installers Name: \_\_\_\_\_

Installers Signature: \_\_\_\_\_

Installation Date: \_\_\_\_\_

Model Number \* \_\_\_\_\_

Serial Number \* \_\_\_\_\_

Installation Address: \_\_\_\_\_

\_\_\_\_\_

*\* This information will need to be copied from the data plate, located on the inside of the appliance.*



Ensure this Operation Manual is left with the customer.

# NOTES





# Rinnai Australia Pty Ltd

ABN 74 005 138 769 | AU24752

100 Atlantic Drive, Keysborough, Victoria 3173  
P.O. Box 460, Braeside, Victoria 3195  
Tel: (03) 9271 6625  
Fax: (03) 9271 6622

## **National Help Line**

Tel: 1300 555 545\* Fax: 1300 555 655  
*Monday to Friday, 8.00 am to 5.00 pm EST.*

*\*Cost of a local call higher from mobile or public phones.*

For further information visit [www.rinnai.com.au](http://www.rinnai.com.au)  
or email [enquiry@rinnai.com.au](mailto:enquiry@rinnai.com.au)

Rinnai has a Service and Spare Parts network with personnel who are fully trained and equipped to give the best service on your Rinnai appliance. If your appliance requires service, please call our National Help Line. Rinnai recommends that this appliance be serviced every 2 years.

With our policy of continuous improvement, we reserve the right to change, or discontinue at any time, specifications or designs without notice.