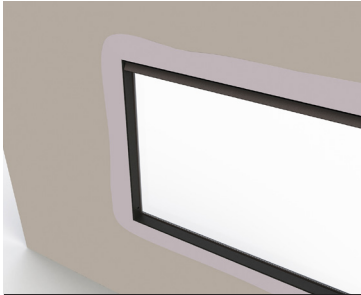


Linear collection

Additional guide to installing wall linings



Flush wall with plastered edge finish

- Requires a highly skilled plasterer and painter
- Minimal finish for a painted wall

Combustible and non-combustible materials p.4



Flush wall with outer finishing trim

- Easiest method for covering wallboard edge
- Increases effective width of the fire

Combustible materials p.5

Non-combustible materials p.5 or 7



Flush wall with material edge visible

- Accurate cutting of lining
- Minimal finish for non-plastered wall
- Material cut edge visible, edge work may be required for an acceptable finish

Combustible materials p.6, non-combustible materials p.7, 8, or 9

Tiled or overlaid walls with backing p.7 or 8

Non-combustible wall linings >21 mm with/without backing p.8



Recess without border (tight against frame)

- Non-combustible materials only
- Maximum 50 mm protrusion
- Edge of thick materials will be visible, edge work or an extra trim may be required for an acceptable finish

Thick wall lining (granite, schist, Silka board etc) p.8

Fabricated (e.g. Villaboard) p.9



Deep recess with border

- Non-combustible materials only
- Can be finished with/without outer finishing trim
- Edge of thick materials will be visible, edge work or an extra trim may be required for an acceptable finish

Non-combustible materials p.10

Framing notes - all installations

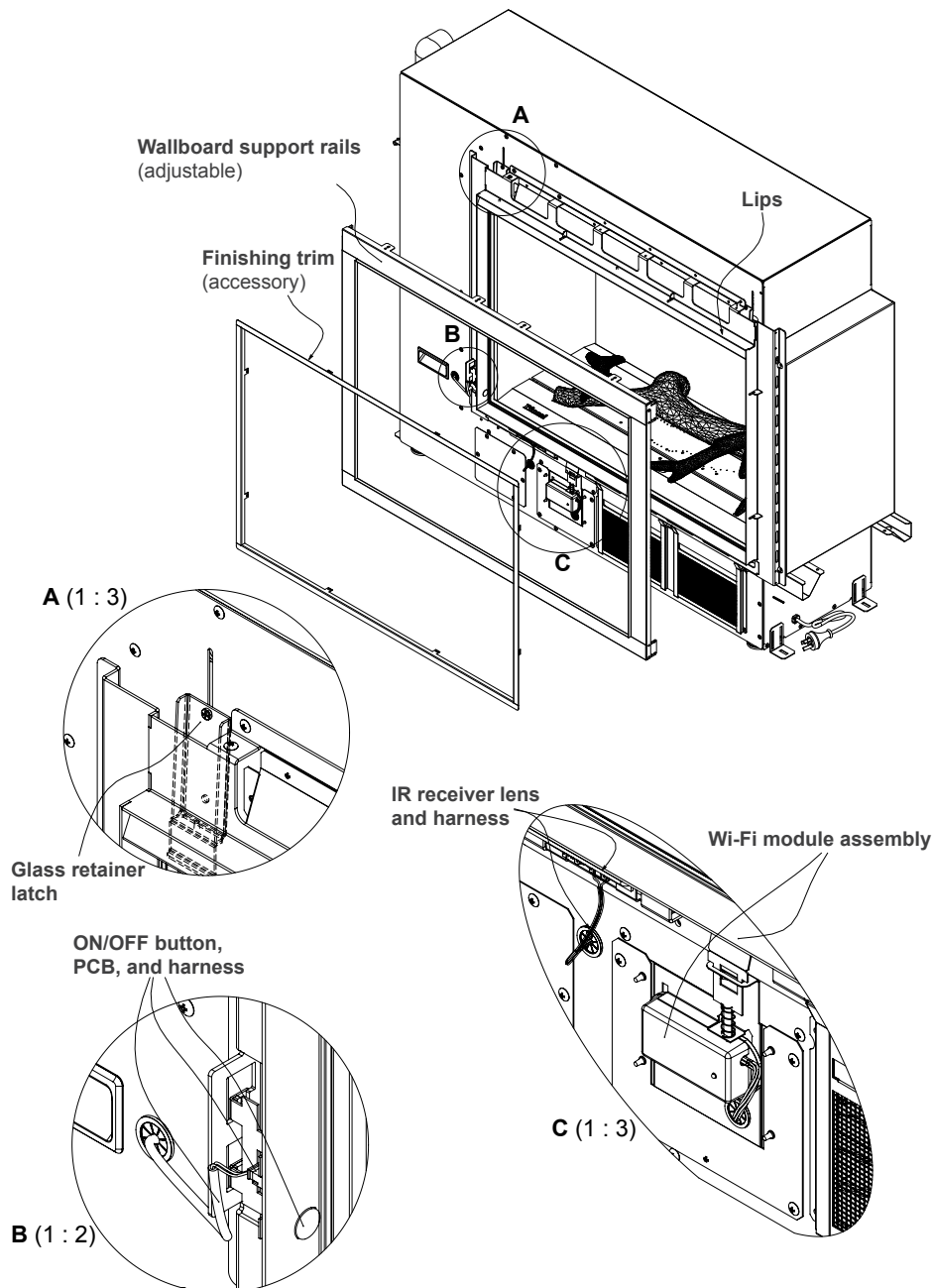


There are some aspects of the wall lining installation that are critical to the safe operation of the appliance. One aspect is the free flow of air around the unit. Regardless of which wall lining is used, an air gap of at least 3 mm around the fire lips is critical for the safe operation of the Linear.

Fixing the wall lining

The wallboard support rails are used as a fixing point for the wall lining. It is recommended that screws are not used as a permanent fixing along the top edge (due to heat transference), use a suitable adhesive instead.

If screws are used around the edge (maximum 25 mm), ensure they do not interfere with the working parts of the fire, for example, glass retainer latches, IR receiver, and the On/Off button, refer below image.



While the fire is safe when installed with combustible wall linings, in accordance with this guide, please be aware that the wall will go through hot and cold cycles, and can reach temperatures of up to 80 °C. This could impact the durability of timber or wallpaper finishes.

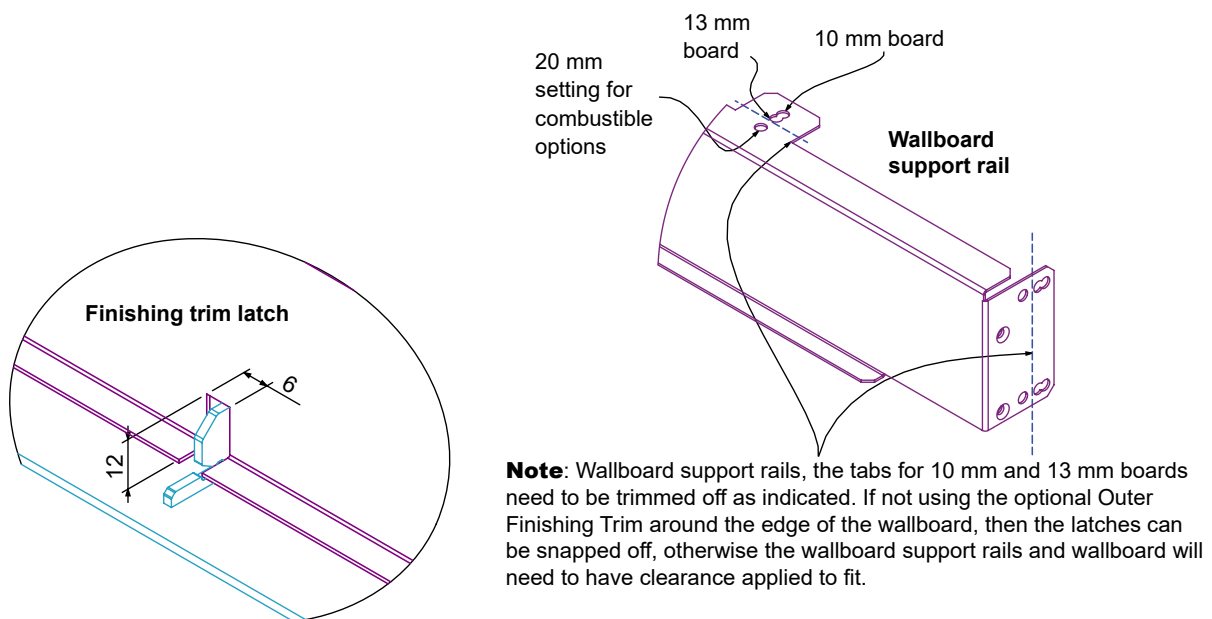
Wallboard support rails—adjustable

There are fixed settings for 10, 13, and 20 mm wallboards. These set the wallboard back 1 mm from the front face of the fire to allow for a plaster finish, or the fitting of the optional 'Outer Finishing Trim' accessory. For example, the 10 mm setting is actually 11 mm back from the front of the fire.

For other wall thicknesses, it may be necessary to set the wall lining back and then use packers to get the required depth. For example, for a 16 mm wallboard with no trim, the rails are set at 20 mm with a 5 mm packer.

It is recommended that wallboards are glued to the support rails and that screws are only used as a temporary means of attaching the lining to the rails.

The tabs for 10 and 13 mm wallboards will need to be trimmed off as indicated below for 20 mm linings.

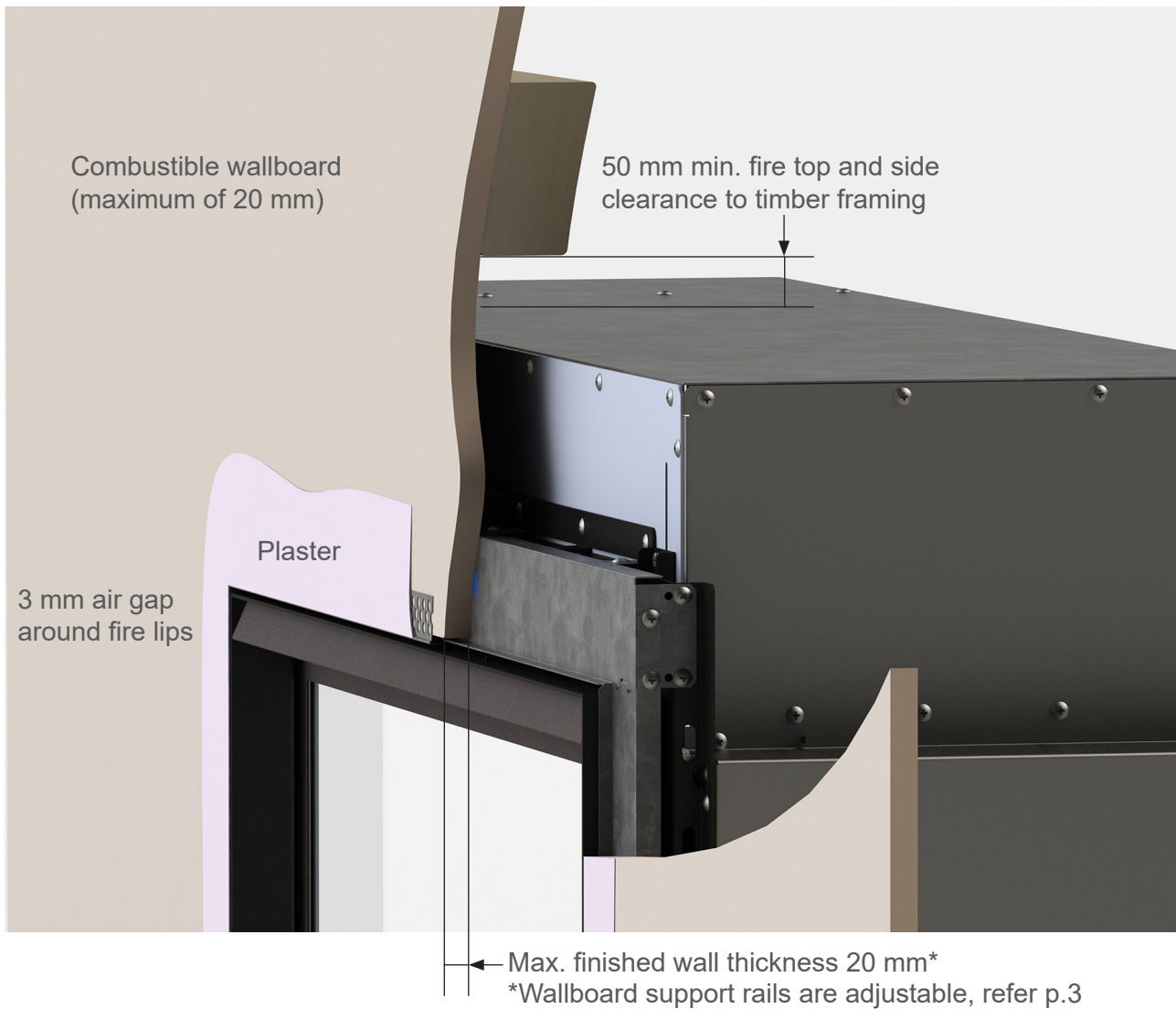
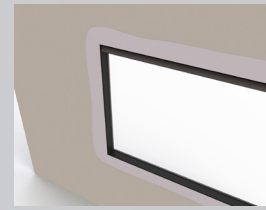


For EVERY installation ensure the following:

- ✓ 3 mm minimum air gap around the fire lips
- ✓ No screws used near the operational components of the fire, refer image on previous page
- ✓ No screws left in the top rail
- ✓ No paint or plaster left in the gap between the fire lips and the wallboard
- ✓ No paint on the IR receiver lens

Plaster edge finish

- Flat wall not extending in front of the fire
- Combustible linings up to 20 mm thick approved for plaster edge finish
- Non-combustible linings approved for plaster finish



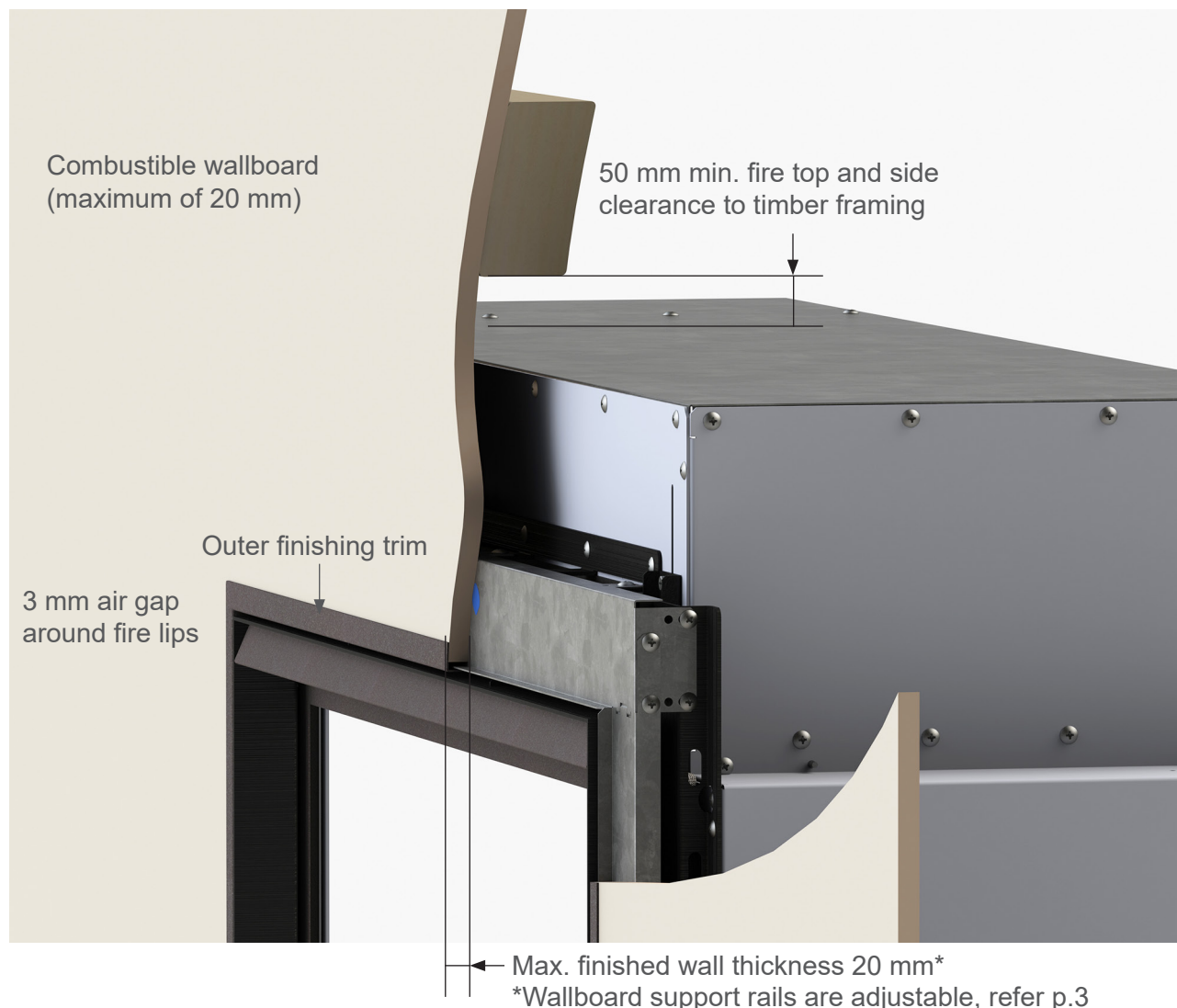
Checklist

- ✓ Wallboard support rails correctly installed for wall thickness
- ✓ Finished wallboard does not extend out past the front of the fire
- ✓ 3 mm air gap maintained around the fire lips
- ✓ No joins in the wallboard around the fire, best practise is to cut a hole in a single sheet, refer cutout sizes below

	800	1000	1500
Minimum	816 x 566	1016 x 341	1516 x 341
Maximum	830 x 580	1030 x 355	1530 x 355

Outer finishing trim

- Flat wall not extending in front of the fire
- Combustible linings up to 20 mm thick
- Installations **without** a hearth



Checklist

- ✓ Wallboard support rails correctly installed for wall thickness
- ✓ Finished wallboard set back 1 mm from the front of the fire—critical for fitting the frame
- ✓ 3 mm air gap maintained around the fire lips
- ✓ No joins in the wallboard around the fire, best practise is to cut a hole in a single sheet, refer cutout sizes below

	800	1000	1500
Minimum	816 x 566	1016 x 341	1516 x 341
Maximum	830 x 580	1030 x 355	1530 x 355

Flush wall with material edge visible

- Flat wall not extending in front of the fire
- Combustible linings up to 20 mm thick
- Non-combustible linings



Checklist

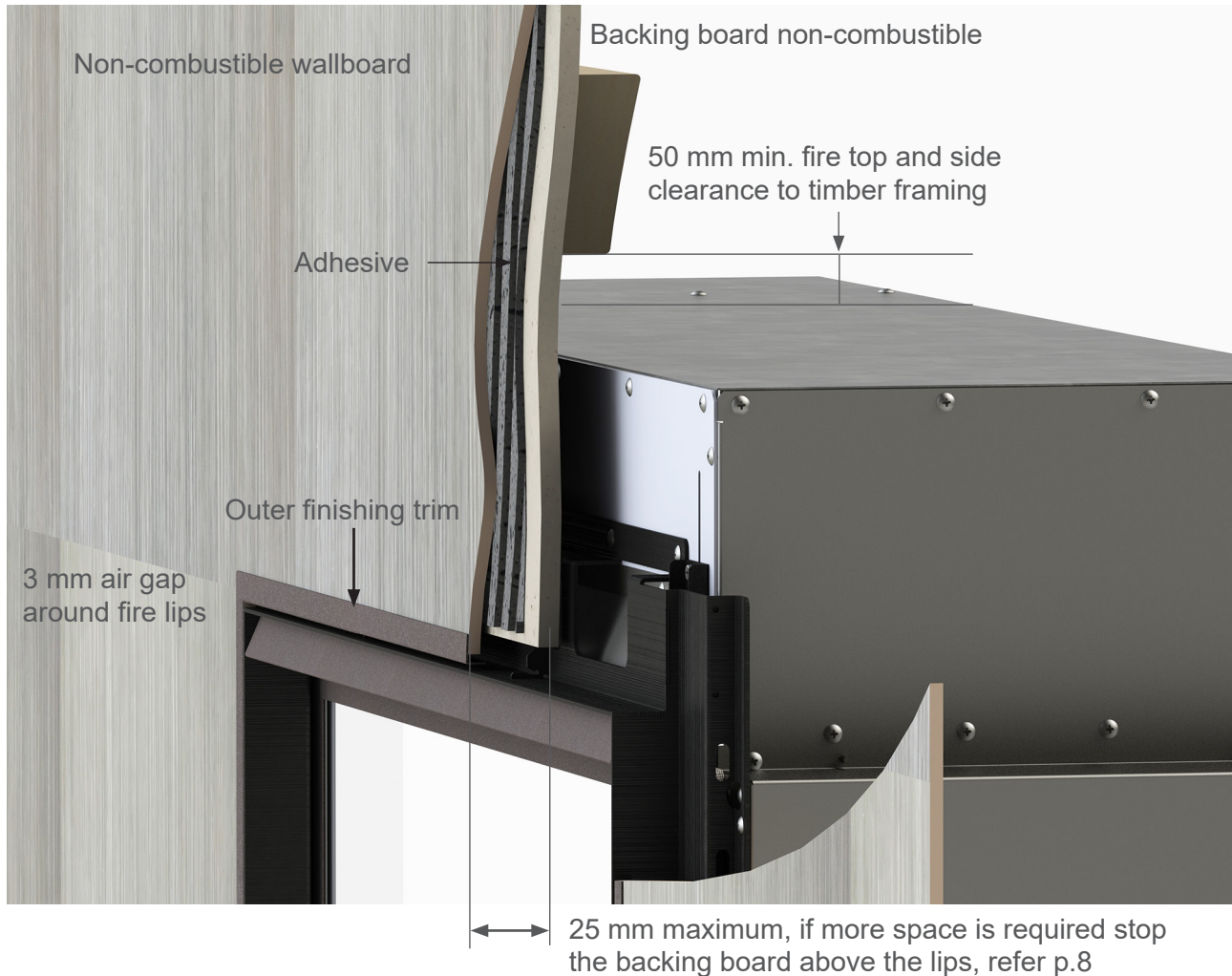
- ✓ Wallboard support rails correctly installed for wall thickness
- ✓ Finished wallboard does not extend out past the front of the fire
- ✓ 3 mm air gap maintained around the fire lips
- ✓ No joins in the wallboard around the fire, best practise is to cut a hole in a single sheet, refer cutout sizes below. These dimensions are critical to getting a clean smooth finish and a 3 mm air gap.

800	1000	1500
810 x 560	1010 x 335	1510 x 335

Finishing trim latches can be removed if outer finishing trim is not required.

Tiled wall with outer finishing trim

- Flat wall not extending in front of the fire
- Non-combustible linings
- Installations **without** a hearth



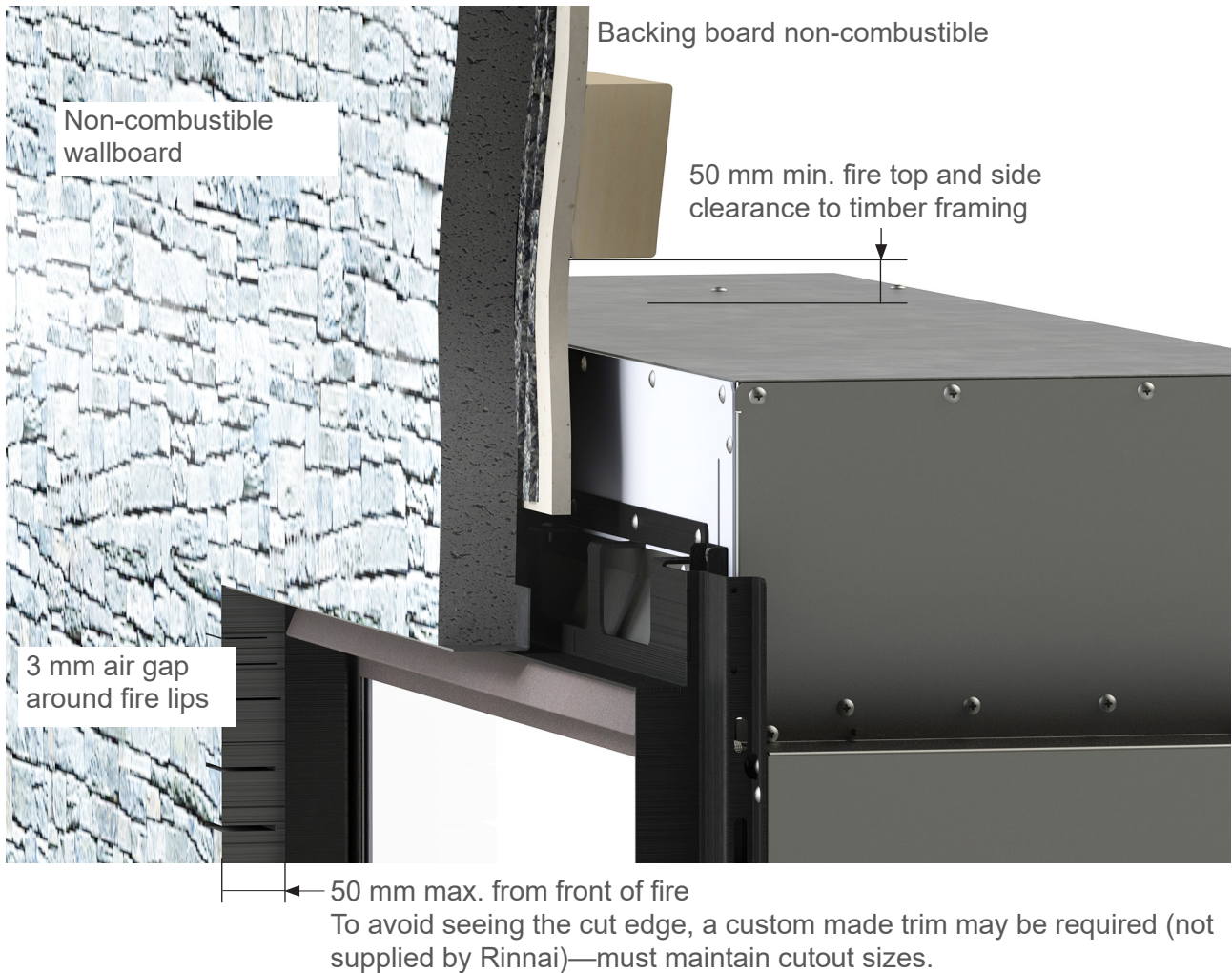
Checklist

- ✓ Wallboard support rails not required, but backing panel is unsupported below lintel. If support is required then treat as though it is a combustible
- ✓ Wall lining must be non-combustible for a minimum of 400 mm above and to the sides of the fire
- ✓ Wall linings greater than 25 mm in total refer p.8
- ✓ Finished wallboard set back 1 mm from the front of the fire—critical for fitting the finishing trim
- ✓ 3 mm air gap maintained around the fire lips
- ✓ Finishing trim latches still in place as this is what the finishing trim fixes to
- ✓ No joins in the wallboard around the fire, best practise is to cut a hole in a single sheet, refer cutout sizes below

	800	1000	1500
Minimum	816 x 566	1016 x 341	1516 x 341
Maximum	830 x 580	1030 x 355	1530 x 355

Deep non-combustible

- Material edge visible
- Non-combustible linings
- Recesses up to 50 mm (for deeper options refer p.10)



Checklist

- ✓ Front face of wall is no more than 50 mm in front and to the sides of the fire
- ✓ Wallboard support rails not required, but backing panel is unsupported below lintel. If support is required then treat as though it is a combustible , i.e. wallboard support rails are left on.
- ✓ Wall lining must be non-combustible below timber lintel (unless flush with front of fire) and installed as per pages 4-6.
- ✓ 3 mm air gap maintained around the fire lips. If an edge finishing trim is used to cover the cut edge, the 3 mm air gap must be maintained between the trim and the fire.
- ✓ No joins in the wallboard around the fire, best practise is to cut a hole in a single sheet, refer cutout sizes below. These dimensions are critical to getting a clean smooth finish and a 3 mm air gap.

800	1000	1500
810 x 560	1010 x 335	1510 x 335

Finishing trim latches can be removed if outer finishing trim is not required.

Recessed non-combustible

- Fabricated wall
- Non-combustible linings
- Recesses up to 50 mm (for deeper options refer p.10)



Checklist

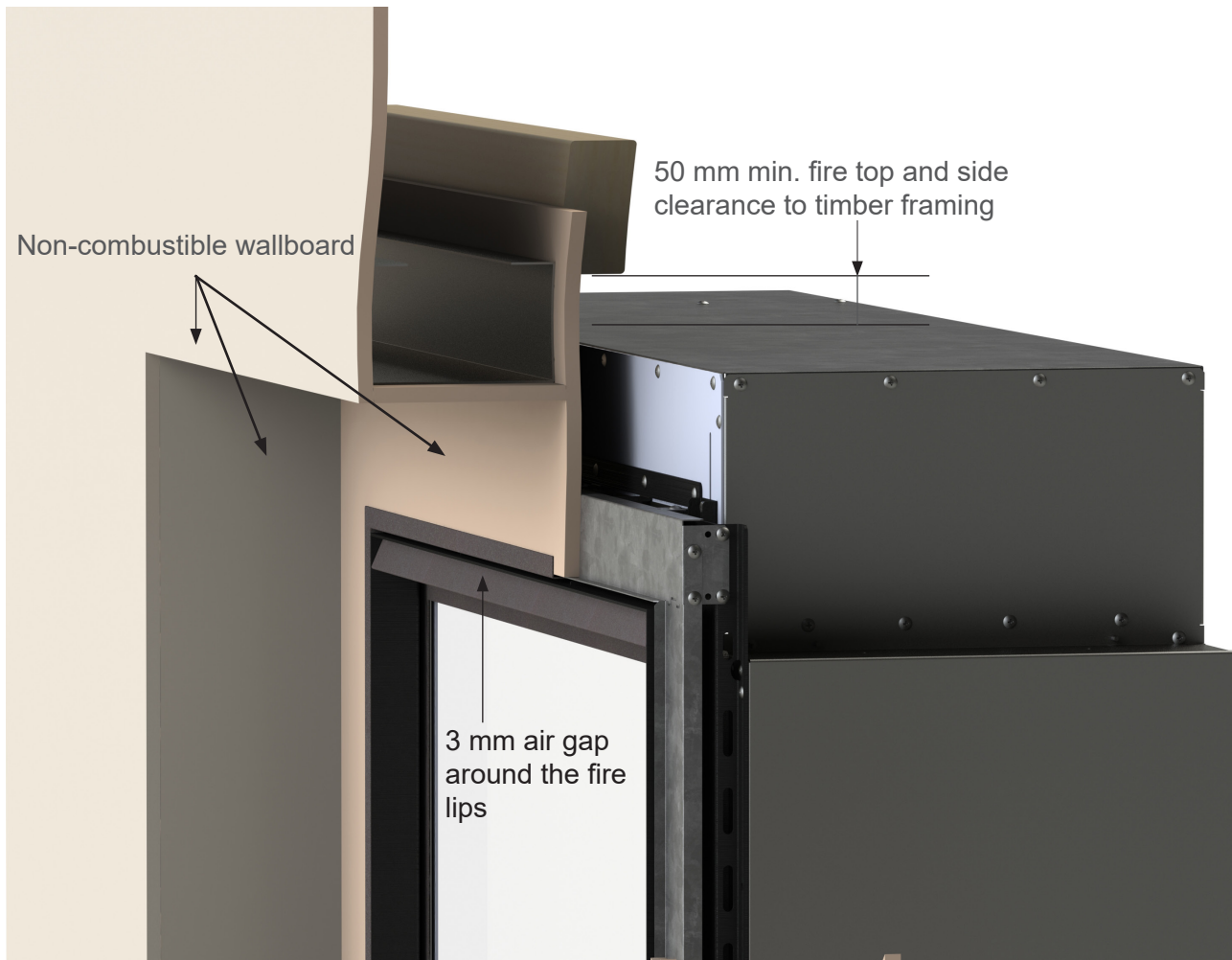
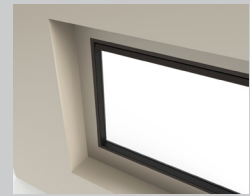
- ✓ Front face of wall is no more than 50 mm in front and to the sides of the fire
- ✓ Wallboard support rails not required, but may be utilised to support the construction of the wall—all the materials below the lintel must be non-combustible
- ✓ Wall lining must be non-combustible for a minimum of 400 mm above and to the sides of the fire
- ✓ 3 mm air gap maintained around the fire lips. Ensure the construction is rigid enough to ensure the gap width is maintained. Wallboard support rails can be used to support a light steel lintel around the fire if required.
- ✓ No joins in the wallboard around the fire, best practise is to cut a hole in a single sheet, refer cutout sizes below. These dimensions are critical to getting a clean smooth finish and a 3 mm air gap.

800	1000	1500
810 x 560	1010 x 335	1510 x 335

Finishing trim latches can be removed if outer finishing trim is not required.

Deep recess non-combustible

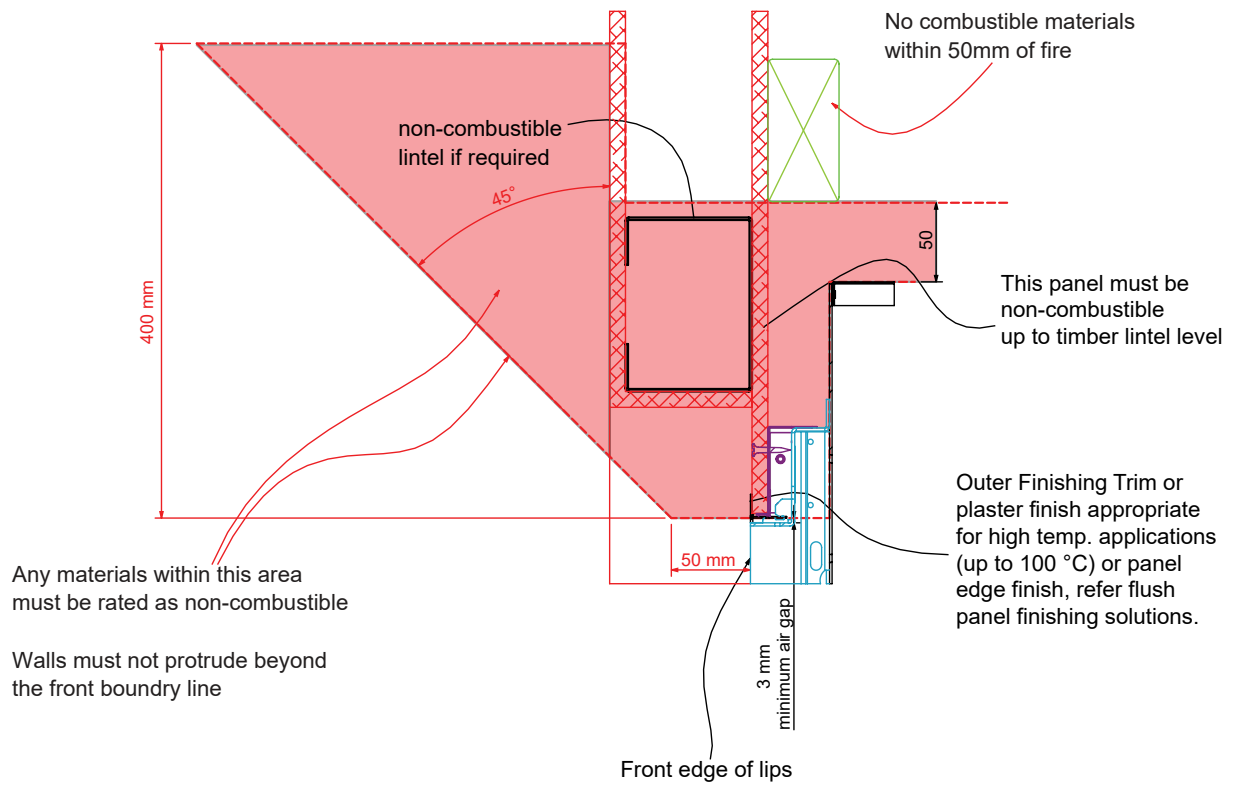
- Fabricated wall
- Non-combustible linings only



Checklist

- ✓ Refer image on next page, no part of the wall extends beyond the area indicated for the first 400 mm above and to the sides of fire lips. Beyond this zone the combustible mantel clearances apply.
- ✓ There are no combustible materials below the timber lintel behind the front of the fire
- ✓ Wallboard support rails not required, but may be utilised to support the construction of the wall—all materials below the lintel must be non-combustible
- ✓ 3 mm air gap maintained around the fire lips. All wall linings must be non-combustible for a minimum of 400 mm above and to the sides of the fire lips.
- ✓ No joins in the wallboard around the fire, best practise is to cut a hole in a single sheet, refer previous pages for cutout sizes.

Finishing trim shown above, but any method from this guide is acceptable. Finishing trim latches can be removed if outer finishing trim is not required.



Rinnai Australia Pty Ltd

ABN 74 005 138 769 | AU24752

100 Atlantic Drive, Keysborough, Victoria 3173
P.O. Box 460, Braeside, Victoria 3195
Tel: (03) 9271 6625
Fax: (03) 9271 6622

National Help Line

Tel: 1300 555 545* Fax: 1300 555 655
Monday to Friday, 8.00 am to 5.00 pm EST.

**Cost of a local call higher from mobile or public phones.*

For further information visit www.rinnai.com.au
or email enquiry@rinnai.com.au

Rinnai New Zealand Ltd

105 Pavilion Drive, Mangere, Auckland
PO Box 53177, Auckland Airport, Auckland 2150
Tel: (09) 257-3800
Toll Free: 0800 764-624

For further information visit:

www.rinnai.co.nz
[youtube.com/rinnainz](https://www.youtube.com/rinnainz)
[facebook.com/rinnainz](https://www.facebook.com/rinnainz)
or email info@rinnai.co.nz

Rinnai has a Service and Spare Parts network with personnel who are fully trained and equipped to give the best service on your Rinnai appliance. If your appliance requires service, please call our National Help Line.

With our policy of continuous improvement, we reserve the right to change, or discontinue at any time, specifications or designs without notice.